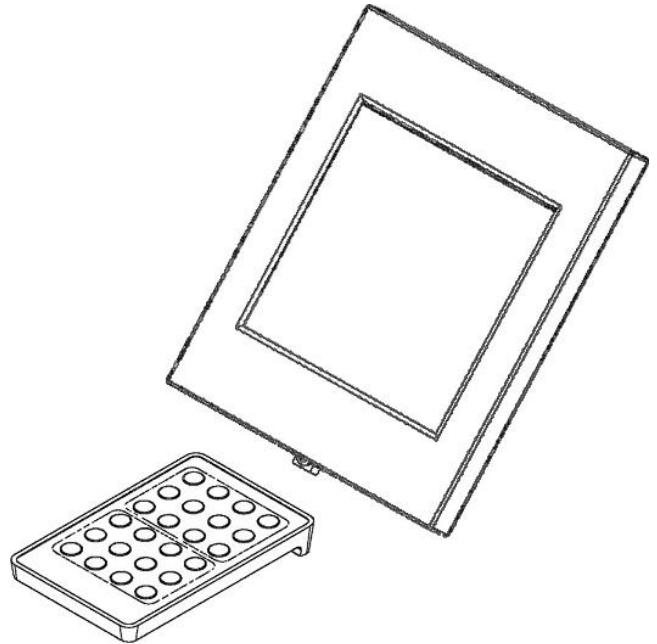


### CHARACTERISTICS:

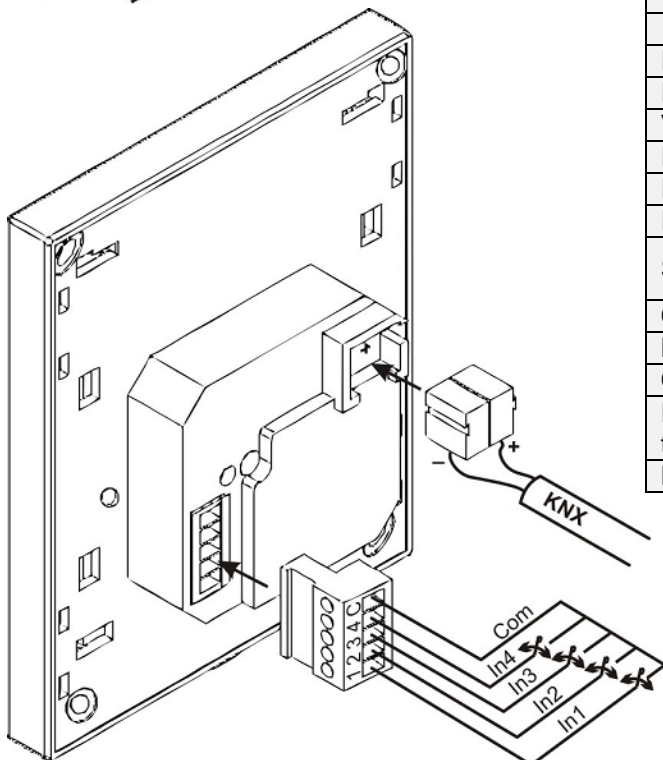
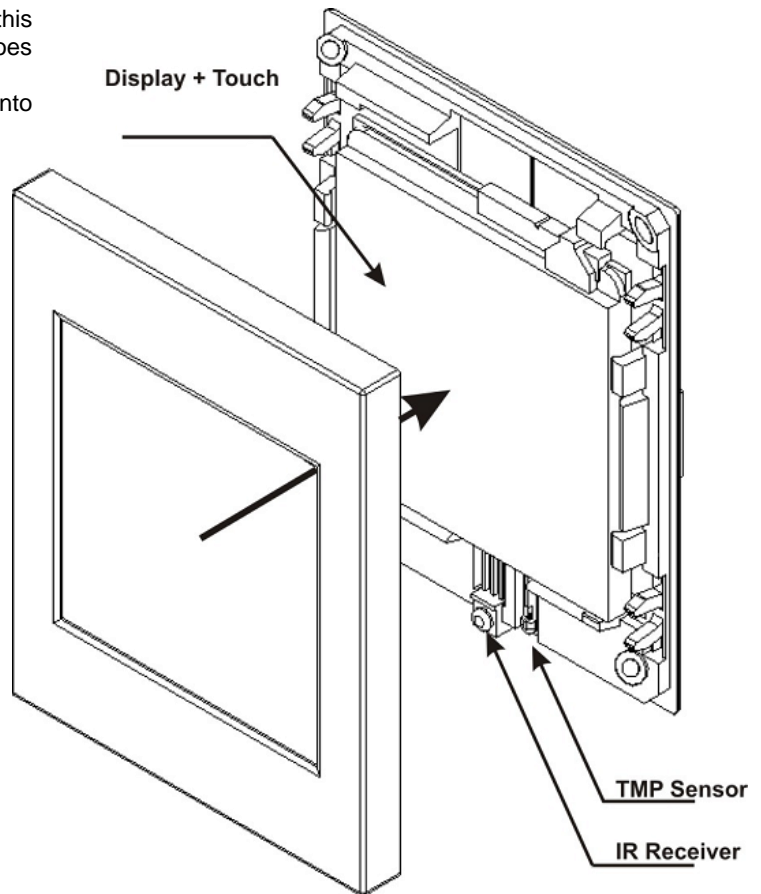
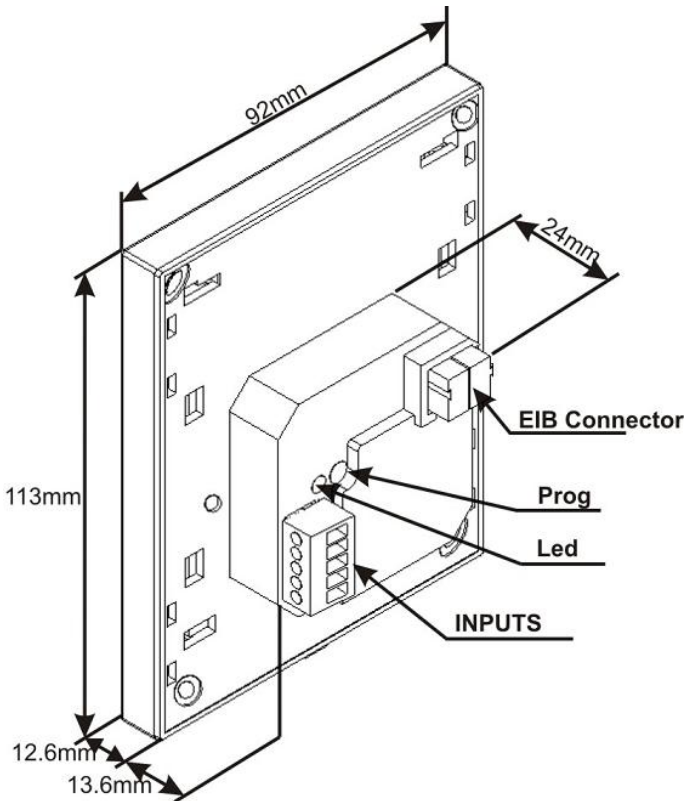
- KNX 3.8” back-lighted monochrome Touch Panel
- Room thermostat
- 12 configurable direct control functions
- 6 additional screens with up to 6 functions each:
  - Scenes
  - Alarms
  - Schedule programming
  - Climate management
  - Display parameters
- IR receiver
- 4 binary inputs for potential free push buttons
- Only bus connection is required
- No power supply different from the bus KNX required
- KNX BCU included
- Complete data saving in case of power failure
- CE directives compliance.



CONCEPT		DESCRIPTION
Device type		Electric operation control device
KNX supply	Voltage	29V DC SELV
	Voltage range	21...31V DC
	Consumption	20mA (max)
	Connection type	Typical BUS connector TP1, 0.50 mm <sup>2</sup> section
External power supply		No
Operating temperature		0° C to +45° C
Storage temperature		-20° C to +60° C
Ambient humidity (relative)		30 to 85% RH (no condensation)
Storage humidity (relative)		30 to 85% RH (no condensation)
Complementary characteristics		Class B
Safety class		II
Operation type		Continuous operation
Device action type		Type 1
Electrical solicitations period		Long
Number of automatic cycles per auto action		100.000
Type of protection		IP20, clean environment
Assembly		Independent control assembly device Vertical position, with the IR receiver and the temperature sensor to the bottom. See “installation figure”
Minimum clearances		Keep away from heat and cold air flows to get better temperature sensor measures
KNX bus failure response		Complete data saving
Response to bus failure recovery		Data recovery
Function indicator		Several on display as programmed
Accessories		IR remote control (optional)
Weight		250 gr.
PCB CTI index		175V
Enclosure		PC+ABS FR V0 halogen free

### Dimensions and descriptions

- **Prog.:** short button press to set the programming mode. If this button is held while plugging the device into the KNX bus, it goes into “secure mode”.
- **Led:** programming mode indicator. When the device goes into secure mode, it blinks every half second.

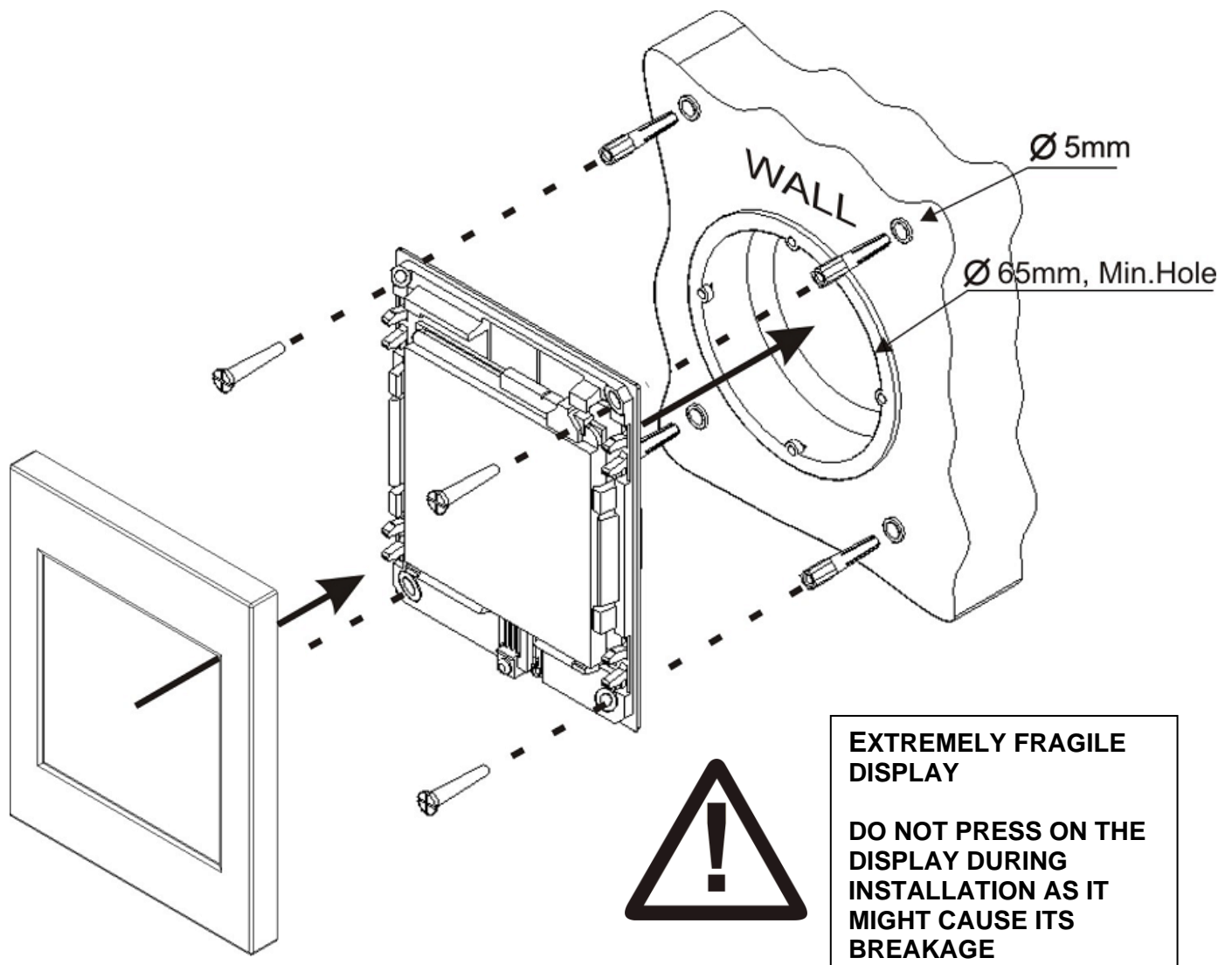


INPUTS: SPECIFICATIONS AND CONNECTIONS		
CONCEPT	DESCRIPTION	
Isolation method	Optical coupler	
Input voltage	+5V DC for the common	
Voltage range	---	
Input current	1mA at 4.75V DC in every input	
Inputs per common	4	
Input impedance	Aprox. 3.3kΩ	
Switching type	Through potential free contacts between input and common	
Connection method	Screw terminal clamp	
Max. cable length	30m.	
Cable section	0.15 mm <sup>2</sup> to 1 mm <sup>2</sup>	
Response time	OFF → ON	Max 10 ms
	ON → OFF	Max 10 ms
Number of inputs	Up to 4	

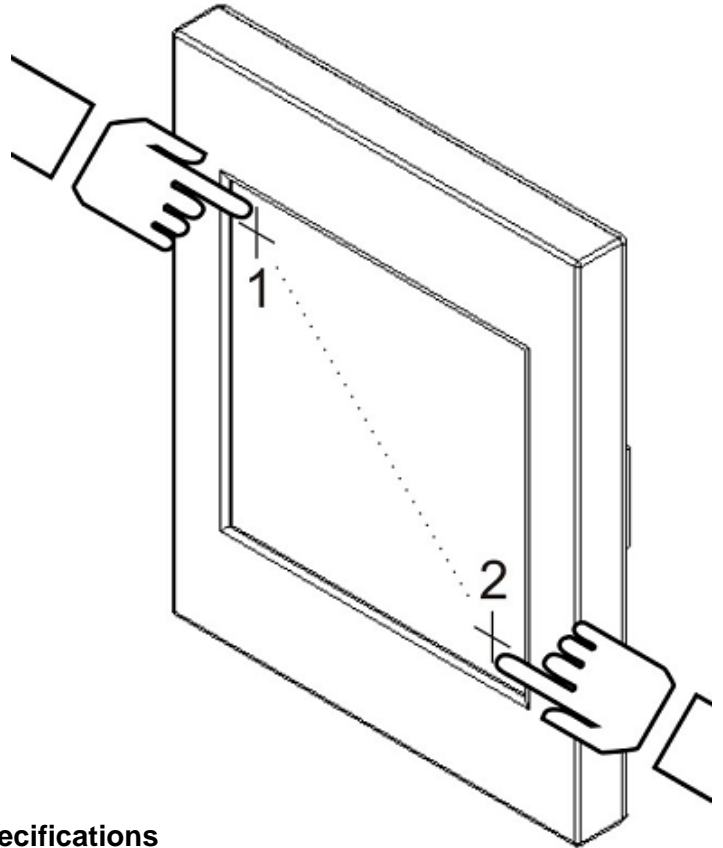
**Note:** Input Clamp consists of 4 individual binary inputs and 1 common. A **Close contact** results from joining an Input with the global “Common”.

**Installation figure (read this completely before starting the installation):**

1. The basic enclosure piece (the one including the display) must be placed into a standard squared/rounded box (minimum diameter 65mm), as shown in figure below. Inputs and bus clamps must be previously connected.
2. Binary inputs screw terminal-clamp should be pre-wired to avoid re-installing the touch panel.
3. Dismantling the display from the basic enclosure piece invalidates the original warranty.
4. You are recommended to use a level tool to install the basic enclosure piece in the right position by parking the points where the wall fixings will be inserted.
5. Once the wall fixings are inserted (unnecessary in wooden walls), the basic enclosure piece must be screwed with the right tightness to get a good fastening but avoiding any deformation on the piece.
6. Remove the plastic foil protector (thin plastic film) from the display before installing the cover.
7. Install the cover by pressing on the four fixing points.
8. If uninstalling the device is mandatory, the cover would be dismantled by using a plain fork or small knife, introducing these tools as much as possible between the cover and the basic enclosure, near the fixing points, to avoid any superficial damage to both pieces.



- Once installed, the touch panel will be configured via ETS.
- When the download is finished, you should touch the corner 1 and, afterwards, the corner 2 to define the touch zone.
- These limits are saved by the device even after a bus voltage failure.
- Nevertheless, after every ETS download you should touch again the corners 1 and 2
- **Programming mode can be set, via the display, as follows: Menu → Tools → programming (upper left corner) → ON.** To keep this option, it is necessary to configure it in ETS parameters.
- Enabling the “**Contrast**” and “**Programming**” functions included in the CONFIGURATION section is recommended for any device configuration.



### ■ Room temperature probe and internal clock specifications

CONCEPT	DESCRIPTION
Measuring range	0° C to +40° C
Resolution	0,1°C
Sensor precision	± 0,5°C
Internal clock resolution	1 minute
Time error	To keep the time error low, set and thus update the internal clock via the bus every hour.
Date/Time set	Manual: set from screen Auto: through bus telegrams from a KNX clock
Response to bus power failure	Internal clock saves last time displayed
Response to bus power recovery	Internal clock recovers last time displayed

### GENERAL CARE

- Do not use aerosol sprays, solvents, or abrasives that might damage the device.
- Clean the product with a clean, soft, damp cloth.

### SAFETY INSTRUCTIONS



- Do not connect main voltage (230 V) or any other external voltages to any point of the bus. Connecting an external voltage might put the entire KNX system at risk.
- Make sure during the installation that there is always sufficient insulation between the main voltage 230V and the bus or the extension inputs.
- To prevent EMC interference, avoid running input cables in parallel with the main voltage ones.