

FEATURES

- 2 output channels to control 12-24VDC shutters.
- 12-24VDC external power supply needed.
- DIN rail mounting (EN 50022), through pressure.
- Size 90 x 60 x 35 mm (2 DIN units).
- Conformity with the CE directives (CE-mark on the right side).

1. Shutter output channel 2	2. Shutter output channel 1	3. Shutter control input for channel 1
4. Shutter control input for channel 2	5. External power supply for channel 1	6. External power supply for channel 2

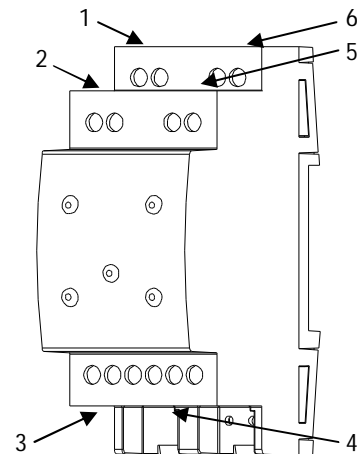


Figure 1: Shutter Coupler 2CH

GENERAL SYSTEM SPECIFICATIONS		
Concept	Description	
Type of device	Electric operation control device	
External power supply	12 to 24VDC	
Operation temperature	-10°C to +60°C	
Storage temperature	-20°C to +70°C	
Operation humidity	3 to 95% RH (no condensation)	
Storage humidity	3 to 95% RH (no condensation)	
Complementary characteristics	Class B	
Protection class	II	
Operation type	Continuous operation	
Device action type	Type 1	
Electrical stress period	Long	
Degree of protection	IP20, clean ambient	
Assembly	Independent device to be mounted inside electrical panels with DIN rail (EN 50022)	
Weight	90g.	
PCB CTI index	175 V	
Housing material	PC FR V0 halogen free	
CONTROL INPUT SPECIFICATIONS		
Input voltage	230VAC ~ 50/60Hz	
Connection type	Screw terminal block	
Recommended cable section	0,5mm ² to 2,5mm ² (26-12 AWG)	
Cable type	Stranded or solid wire	
Maximum response time	20ms	
SHUTTER OUTPUT CHANNEL SPECIFICATIONS		
Output voltage	12-24VDC	
Maximum current	8A per channel	
Maximum power	192W per channel	
Recommended cable section	0,5mm ² to 4mm ² (20-12 AWG)	
Cable type	Stranded or solid wire	
Expected life	Mechanical	10 million operations (6cpm)
	Electrical	100.000 cycles

ASSEMBLY DIAGRAM

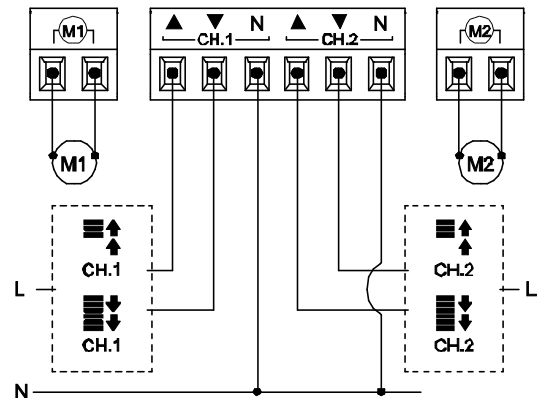
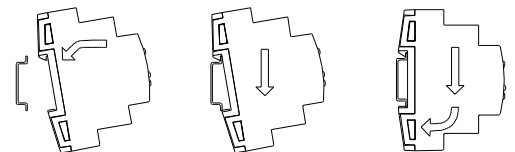


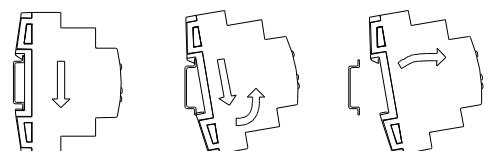
Figure 2: wiring example for two shutter channels

ATTACHING TO DIN RAIL

Attaching Shutter Coupler 2CH to DIN rail:



Removing Shutter Coupler 2CH from DIN rail:



SAFETY INSTRUCTIONS

- Installation should only be performed by qualified professionals according to the laws and regulations applicable in each country.
- Once the device is installed (in the panel or box), it must not be accessible from outside.
- Keep the device away from water and do not cover it with clothes, paper or any other material while in use.
- The WEEE logo means that this device contains electronic parts and it must be properly disposed of by following the instructions at <http://zennio.com/wEEE-regulation>.

