

FEATURES

- Allows adding protection against tampering to the GetFace IP system.
- The module contains two switches that are opened whenever the front frame is removed:
 - One switch leads directly to the terminal board and is designed for connection to an external security exchange (32VDC/50mA max).
 - The other switch can be used for alarm signaling:
 - Via the bus KNX: Connecting the switch to a binary input of a KNX device.
 - Via the Zennio GetFace IP: Connecting the switch with the I/O module (ZPV-INOUT) or the Wiegand module (ZPV-ACWIE) and using the Automation interface in the GetFace configuration.
- Please refer to the GetFace IP manual for configuration.
- Maximum consumption: 0.65W (0.05A @ 12VDC).
- Conformity with the CE directives.

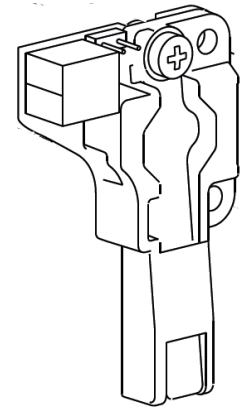


Figure 1. Tamper switch

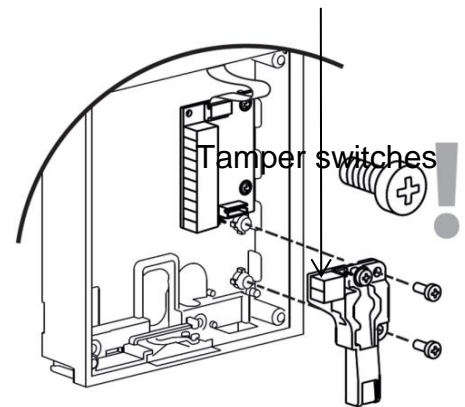



Figure 2. Tamper switch installation

SAFETY INSTRUCTIONS

- Installation should only be performed by qualified professionals according to the laws and regulations applicable in each country.
- Do not connect the mains voltage nor any other external voltage to any point of the signal wiring; it would represent a risk for the entire system. The facility must have enough insulation between the mains (or auxiliary) voltage and the signal wiring or the wires of other accessories, in case of being installed.
- Keep the device away from water and do not cover it with clothes, paper or any other material while in use.
-  The WEEE logo means that this device contains electronic parts and it must be properly disposed of by following the instructions at <http://zennio.com/weee-regulation>.