

FEATURES

- Allows extending the number of inputs and outputs of the GetFace IP Basic Unit. It includes:
 - 2 relays 30V/1A AC/DC (NO/NC contacts)
 - 2 passive/active inputs (-30VDC..30VDC)
 - 0=Open or $V_{IN1} > 1.5VDC$
 - 1=Closed or $V_{IN1} < 1.5VDC$
 - 4 input (green) / output (red) status LED indicators
 - Input of Tamper switch (ZVP-ACTAM)
- The module integrates two interchangeable GetFace bus connectors for connections to/from GetFace IP Basic Unit or other modules. If this module is the last one on the bus, one of the connectors remains unconnected.
- Maximum consumption: 0.65W (0.05A @ 12VDC).
- GetFace bus cable included (80mm long).
- Please refer to the GetFace IP manual for configuration.
- Conformity with the CE directives.

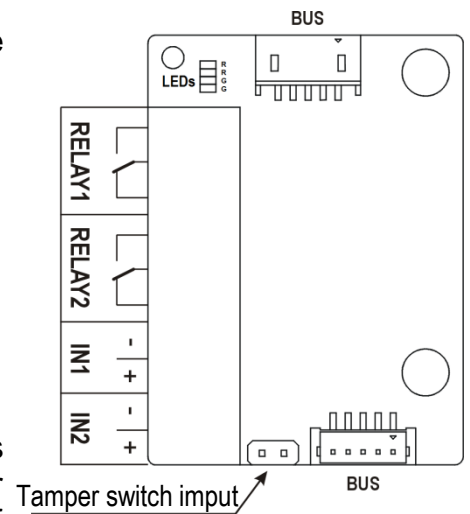



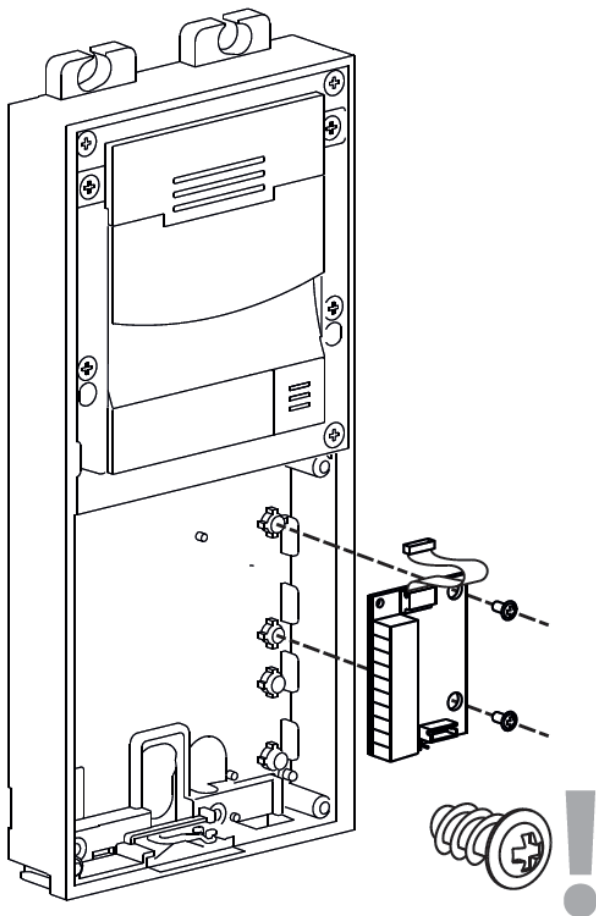
Figure 1. Connection diagram of the I/O Module

SAFETY INSTRUCTIONS

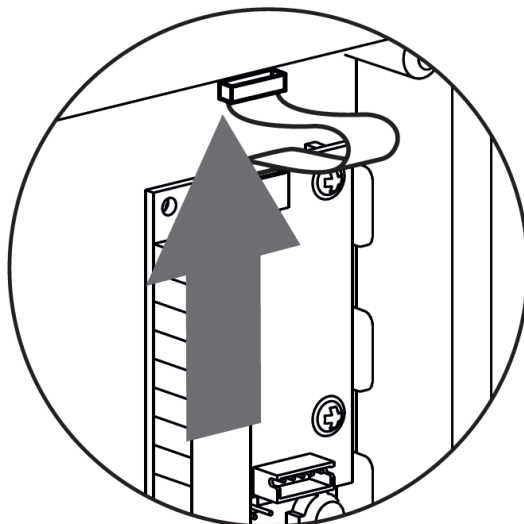
- Installation should only be performed by qualified professionals according to the laws and regulations applicable in each country.
- Do not connect the mains voltage nor any other external voltage to any point of the signal wiring; it would represent a risk for the entire system. The facility must have enough insulation between the mains (or auxiliary) voltage and the signal wiring or the wires of other accessories, in case of being installed.
- Keep the device away from water and do not cover it with clothes, paper or any other material while in use.
-  The WEEE logo means that this device contains electronic parts and it must be properly disposed of by following the instructions at <http://zennio.com/weee-regulation>.

ASSEMBLY INSTRUCTIONS

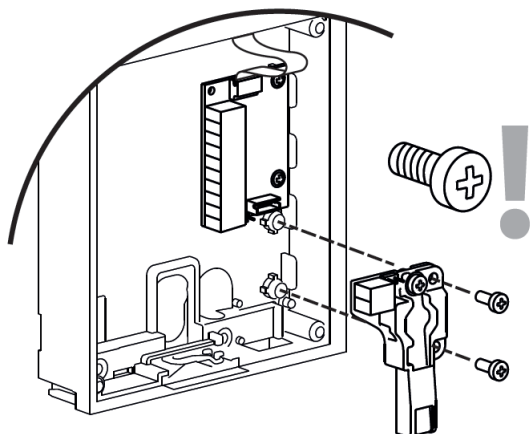
1 Please fix the module to the enclosure with the included screws.



2 Interconnect the input/output module and the GetFace IP Basic Unit (or other additional modules) with the GetFace bus cable.



3 Fix the Tamper switch (if needed) to the enclosure with screws.



4 Connect the Tamper switch to the input/output module with the jumpers.

