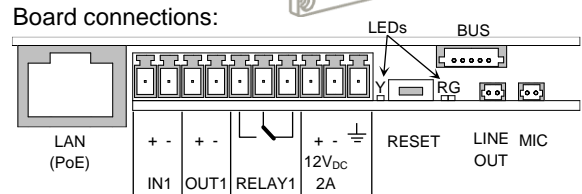
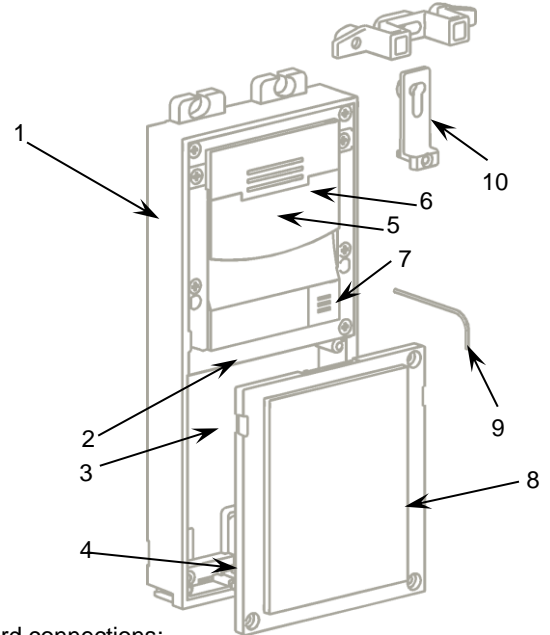


### FEATURES

- Connectors:
  - RJ-45 Ethernet 10/100Base-TX Auto-MDIX.
    - It allows PoE supply 802.3af – Class 0 – 12.95W (With PoE injector of 48V operating voltage)
  - IN1: Passive or active input (-30..30VDC).
    - 0=open or VIN1>1.5VDC / 1=closed or VIN1<1.5VDC.
  - OUT1: Active output (8..12VDC, I<sub>MAX</sub>=400mA).
  - RELAY1: Relay contacts NO/NC 30V/1A (AC/DC).
  - External power supply input 12VDC(±15%)/2A.
  - Output LINE<sub>OUT</sub> (1V<sub>RMS</sub>).
  - Internal microphone connector and GetFace bus connector.
- Reset button and LED indicators (yellow, red, green).
- Ambient conditions:
  - Operation: -40..60°C y 10..95%RH (without condensation)
  - Storage: -40..70°C y 10..95%RH
- Protection index: IP54.
- Maximum consumption: 13.84W (1.15A @ 12VDC).
- Camera<sup>1</sup> 1280x960px (angles 120°H, 90°V, 145°D) and IR light
- Speaker 2W. Sound pressure (1 kHz, 1m): 78 dB.
- Static or dynamic IP (DHCP compatible)
- Dimensions 106 x 233mm



1. Basic Unit	2. Board connections	3. Space for additional modules	4. Internal microphone
5. Camera <sup>1</sup>	6. Infrared LED <sup>1</sup>	7. Button	8. Blind panel
			9. Allen key
			10. Auxiliary metallic parts

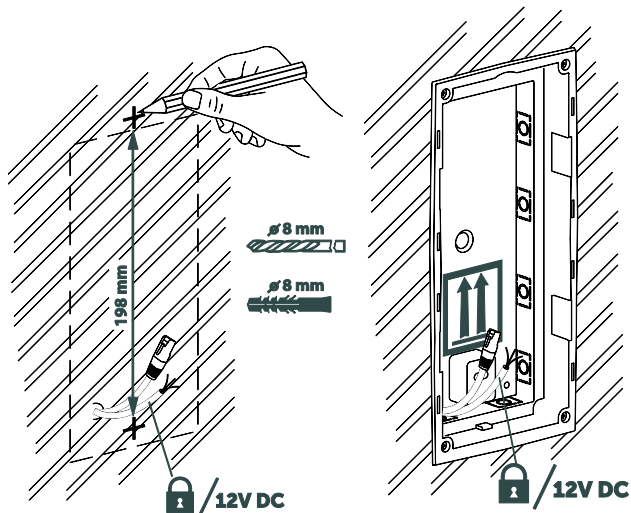
<sup>1</sup> Only included in the ZVP-CAM unit.

# ASSEMBLY INSTRUCTIONS

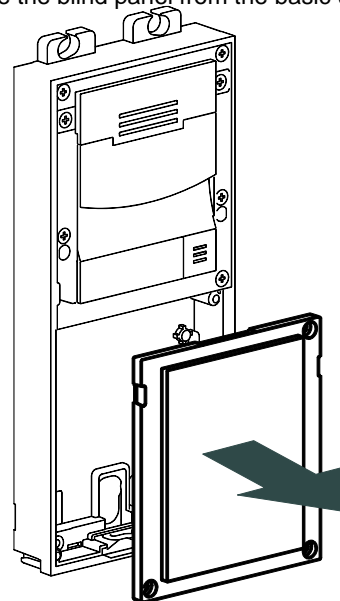
**1** Depending on the installation type (surface or flush-mount), the initial installation zone is different.

Surface installation:

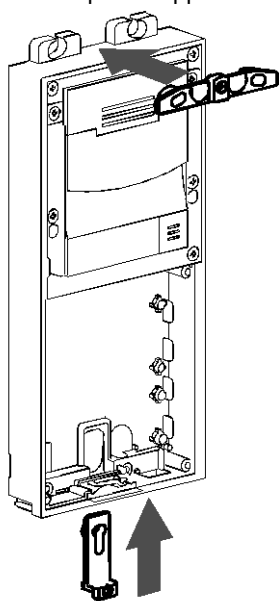
Flush-mount installation:



**2** Please remove the blind panel from the basic unit.



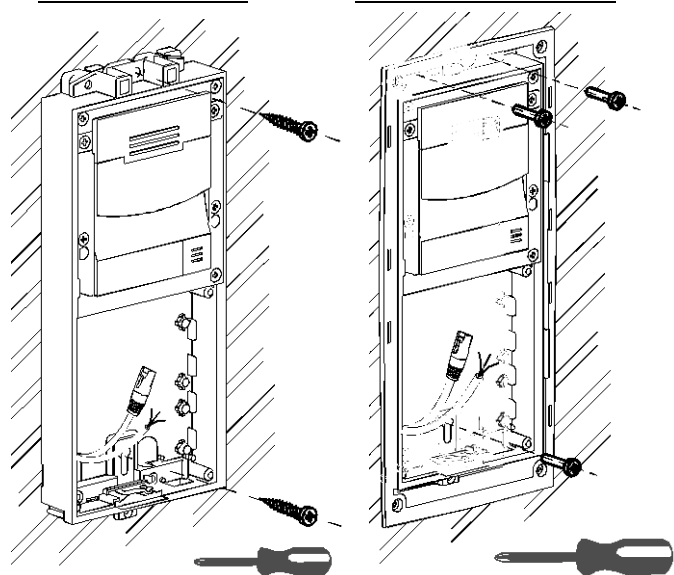
**3** Place the auxiliary metallic parts supplied with the frame.



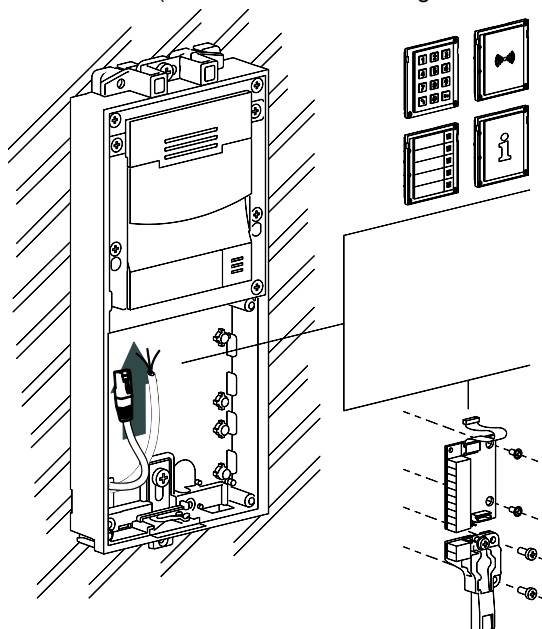
**4** Place and fix the Basic Unit with the supplied screws.

Surface installation:

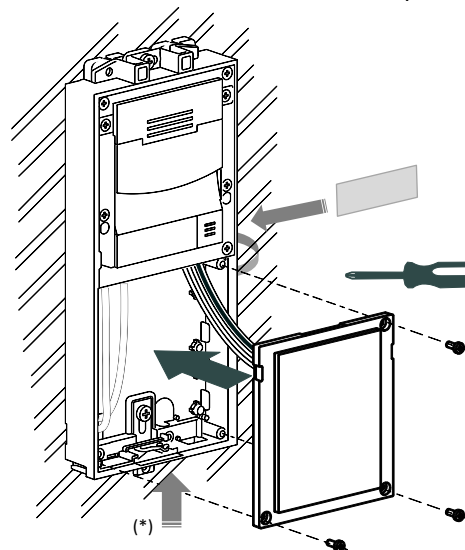
Flush-mount installation:

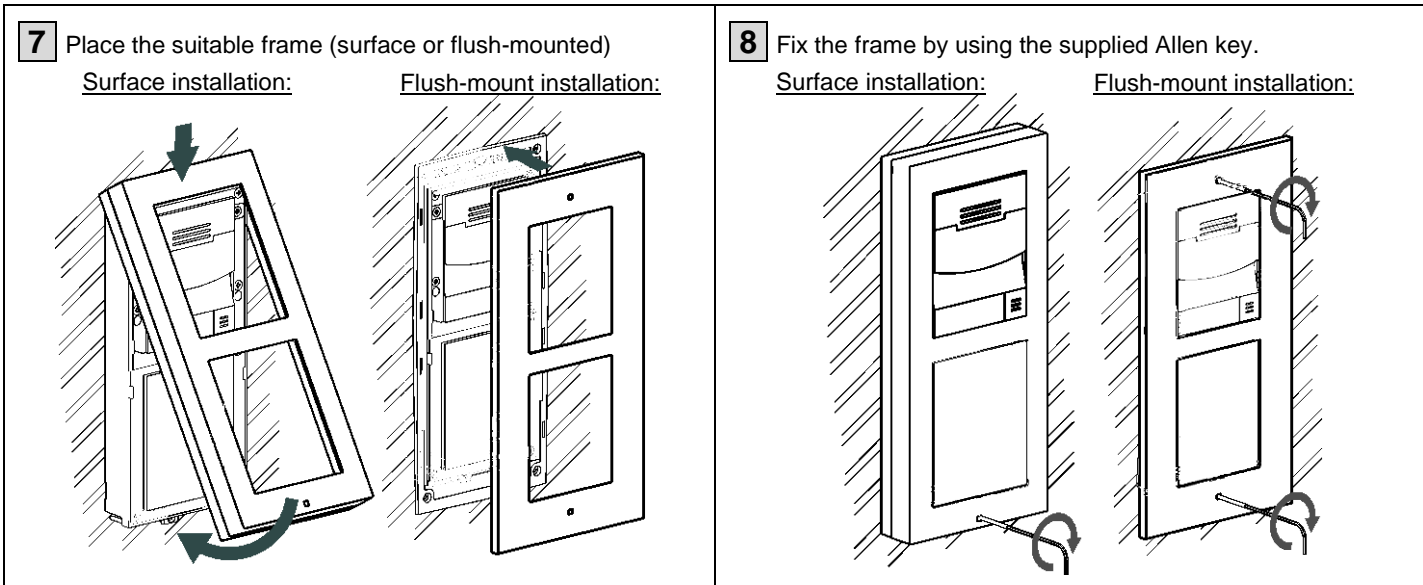


**5** Install the additional modules, if any, and interconnect them through the bus cable (maximum bus cable length: 7 meters).

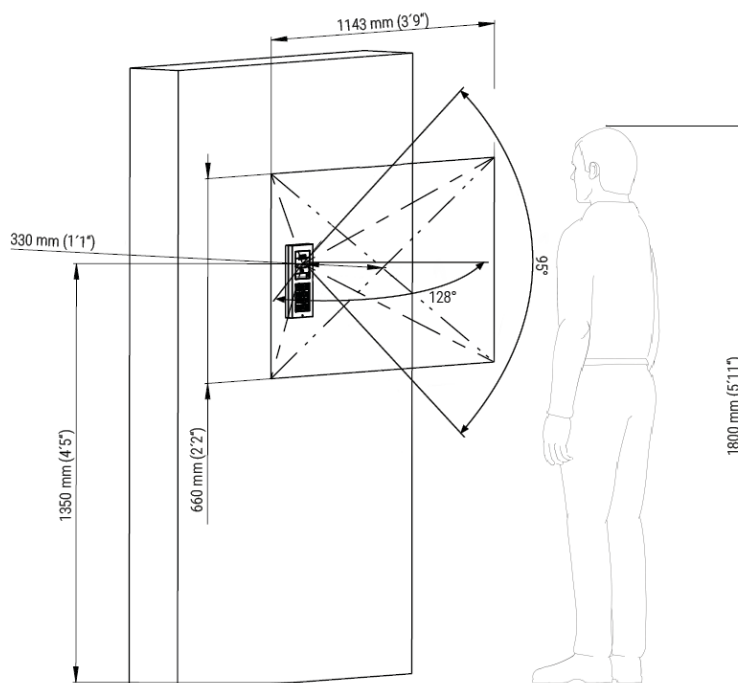


**6** It is recommended to make use of the microphone fixing screw to avoid vibrations (\*). After that, please fix the blind panel (or the additional modules that remains in sight) with the supplied screws and label the buttons with its caption.





## INSTALLATION DIMENSIONS



## INSTALLATION NOTES

- Please, refer to the technical documentation corresponding to any other references to be used together with the Basic Unit.
- If the GetFace IP device is installed in a place where echo is generated, it may be necessary to make a hole on the frame to enhance the sound experience. Please, contact with Zennio to make this modification in the factory.
- The maximum bus cable length between GetFace IP and the others additional modules is 7 meters. Furthermore, is not allowed to make any bus cable splicing.
- For 12VAC/DC electromagnetic lock, it is necessary to protect the intercom against voltage peak while switching off the induction load. For this way of protection, please, connect the varistor or the diode like is showed in the next figure near to the lock.

