

## FEATURES

- Surface-mounted in doors and windows.
- Built in ABS.
- Available colours:
  - White (ref. 990001207)
  - Brown (ref. 990001212)
  - Silver (ref. 990001206)
- Dimensions      Magnet:      51x10x8 mm  
                         Contact:      51x10x8 mm
- Normally-open contact (when the magnet is not present).
- Conformity with the CE directives (CE-mark on packaging).

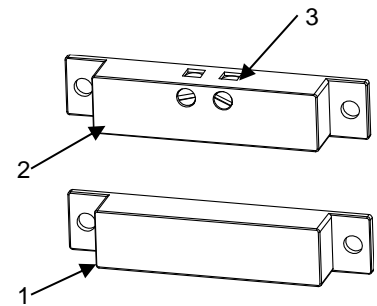


Figure 1. Magnetic contact

1. Magnet	2. Contact	3. Connection terminal block
-----------	------------	------------------------------

GENERAL SPECIFICATIONS	
CONCEPT	DESCRIPTION
Type of device	Electric operation control device
Operation temperature	0°C to +55°C
Storage temperature	-20°C to +55°C
Operation humidity	5 to 95% RH (no condensation)
Storage humidity	5 to 95% RH (no condensation)
Complementary characteristics	Class B
Protection class	II
Operation type	Continuous operation
Device action type	Type 1
Electrical stress period	Long
Degree of protection	IP20, clean environment
Installation	Surface-mounted in doors and windows with adhesive tape or bolts (both included)
Weight	13g
Housing material	ABS

CONTACT SPECIFICATIONS AND CONNECTIONS	
CONCEPT	DESCRIPTION
Contact options	Normally Open (when the magnet is not present)
Maximum voltage	100V
Maximum current	0.5A
Maximum power	10W
Maximum gap between magnet and contact	24mm
Output type	Potential-free contact
Connection method	Screw terminal block
Cable cross-section	0.5mm <sup>2</sup> (IEC) / 24-20AWG (UL)

## ASSEMBLY DIAGRAM

1. Place the contact on the door/window frame and mark the screws position.
  2. Make the wiring connections and screw the bolts to fix the contact to the frame.
  3. Place the magnet on the door/window respecting the alignment and separation from the contact.
  4. Screw the included bolts to fix the magnet in the final position.
  5. Check the correct working of the contact by means of a continuity detector while the window/door is being opened and closed.
- Optional: Included fixing tape can be used instead of bolts.

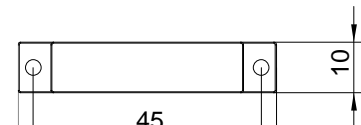
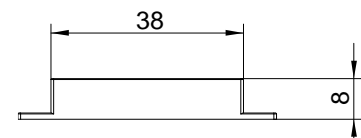
**Note:** It must be installed far away from magnetic fields or metallic elements.

## SAFETY INSTRUCTIONS

- Installation should only be performed by qualified professionals according to the laws and regulations applicable in each country.
- Keep the device away from water and do not cover it with clothes, paper or any other material while in use. It must not be hit.
- The WEEE logo means that this device contains electronic parts and it must be properly disposed of by following the instructions at <http://zennio.com/wEEE-regulation>.

## DIMENSIONS

Magnet



Contact

