

FEATURES

- 4.1" capacitive color touch panel
- 16 million colors LCD display
- Up to 12 configurable pages
- Up to 96 configurable control and/or indicator functions
- Intercom function with up to three door controls
- Communication through two independent IP networks
- 2 independent thermostats
- Customizable device orientation (portrait or landscape)
- Built-in temperature sensor
- NTP synchronizable clock
- External 12-29 VDC power supply
- Integrated KNX BCU (TP1-256)
- Mini-USB connection
- Magnetic fit
- Complete data saving in case of KNX bus failure
- Conformity with the CE, UKCA, RCM directives (marks on the back side)

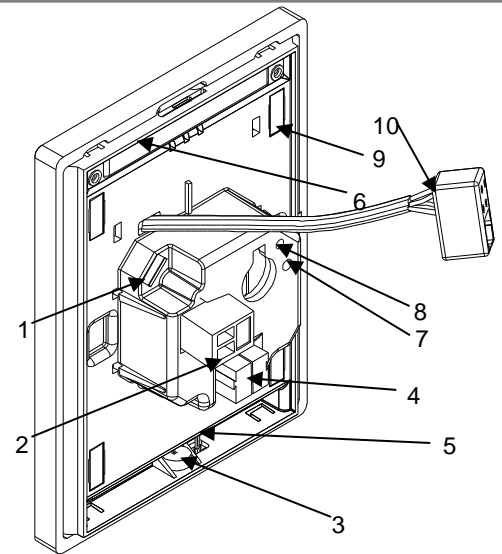


Figure 1: Z41 COM

1. Mini-USB connector	2. External power supply connector	3. Microphone	4. KNX connector	5. Temperature Probe
6. Speakers	7. Programming button	8. Programming LED	9. Magnet	10. Ethernet connector

Programming button: short press to set programming mode. If this button is held while plugging the device into the KNX bus, it enters the safe mode.

Programming LED: programming mode indicator (red). When the device enters the safe mode, it blinks (red) every half second. During the start-up (reset or after KNX bus failure) and if the device is not in safe mode, it emits a red flash.

GENERAL SPECIFICATIONS

CONCEPT		DESCRIPTION		
Type of device		Electric operation control device		
KNX supply	Voltage (typical)	29 VDC SELV		
	Voltage range	21-31 VDC		
	Maximum consumption	Voltage	mA	mW
		29 VDC (typical)	6	174
24 VDC ¹	10	240		
Connection type		Typical TP1 bus connector for 0.8 mm Ø rigid cable		
External power supply		12-29 VDC. Maximum consumption: 250 mA (12 VDC), 112 mA (24 VDC), 86 mA (29 VDC). Do not connect the 29 VDC KNX bus as an external power supply		
Operation temperature		5 .. +45 °C		
Storage temperature		-20 .. +55 °C		
Operation humidity		5 .. 95%		
Storage humidity		5 .. 95%		
Complementary characteristics		Class B		
Protection class		III		
Operation type		Continuous operation		
Device action type		Type 1		
Electrical stress period		Long		
Degree of protection		IP20, clean environment		
Installation		Portrait or landscape position, with the temperature sensor at the bottom or on the right, respectively. Magnetic fit. See Installation instructions section.		
Minimum clearances		Please, keep away from heat and cold air flows to ensure proper temperature measurements.		
Response on KNX bus failure		Data saving according to parameterization. Initialization screen.		
Response on KNX bus restart		Data recovery according to parameterization		
Response on power supply failure		Complete data saving. Display is switched off.		
Response on power supply recovery		Current data recovery		
Operation indicator		The programming LED indicates programming mode (red). Display allows visual feedback of the functionality.		
Accessories		Mini USB A-B cable Ref. ZN1AC-UPUSB (not included)		
Weight		223 g		
PCB CTI index		175 V		
Housing material		PC+ABS FR V0 halogen free		

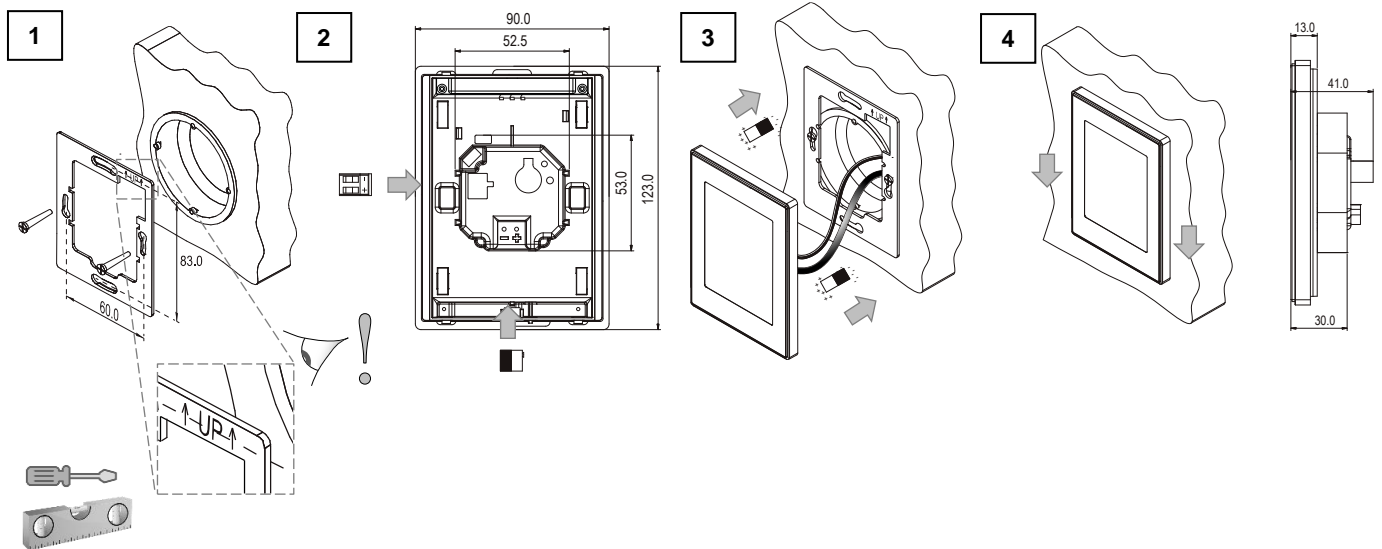
¹ Maximum consumption in the worst-case scenario (KNX Fan-In model).

INTERNAL TEMPERATURE SENSOR SPECIFICATIONS	
CONCEPT	DESCRIPTION
Measuring range	-10 .. 50 °C
Accuracy (@ 25 °C)	±0.5 °C
Temperature resolution	0.1 °C
Calibration	The temperature sensor should be calibrated through the application program according to the external power supply connected. Moreover, to avoid fluctuations in the temperature measurement, the flush-mounted box must be completely sealed once the cables are inside. Airtight boxes, polyurethane foam, silicone rubber or similar non-breathable construction materials can be used.

EXTERNAL POWER SUPPLY AND PORTS SPECIFICATIONS AND CONNECTIONS	
CONCEPT	DESCRIPTION
Power supply voltage	12-29 VDC
Connection method	Pluggable screw terminal block (0.4 Nm max.)
Cable cross-section of power supply	0.2-2.5 mm ² (IEC) / 22-12 AWG (UL)
USB Connector	Mini USB type A connector. Version 2.0. Do not connect to PC, hard drives or other devices with consumption higher than 150 mA. Please refer to the user manuals at www.zennio.com for details on how to upgrade the firmware through this port. The information about the underlying software licenses can be downloaded through the USB port by connecting a flash memory drive containing an empty folder named Z41_LICENSE (please ensure that the firmware version is 1.2.5 or greater).
Ethernet Connector	RJ-45 female connector

INSTALLATION INSTRUCTIONS

1. Fix the metal plate into a square or round back box by using the screws from the box, checking that it is levelled and correctly oriented.
 2. Connect the KNX bus, the Ethernet terminal and the power supply to the back of the device.
 3. Once it is connected, fit Z41 COM into the metal plate. The device is fixed by means of the magnets.
 4. Slid Z41 COM downwards to fix it to the security anchorage system. Check, from the side, that only the outline of Z41 COM is visible (the metal plate should remain completely hidden by Z41 COM).
 5. In case of landscape configuration, rotate the device and the metal plate by 90°counterclockwise.
- To uninstall proceed in the reverse way.



GENERAL CARE

- Do not use aerosol sprays, solvents, or abrasives that might damage the device.
- Clean the product with a clean, soft, damp cloth.

SAFETY INSTRUCTIONS AND ADDITIONAL NOTES

- Installation should only be performed by qualified professionals according to the laws and regulations applicable in each country.
- Do not connect the mains voltage nor any other external voltage to any point of the KNX bus; it would represent a risk for the entire KNX system. The facility must have enough insulation between the mains (or auxiliary) voltage and the KNX bus or the wires of other accessories, in case of being installed.
- Keep the device away from water (condensation over the device included) and do not cover it with clothes, paper or any other material while in use.
- The WEEE logo means that this device contains electronic parts and it must be properly disposed of by following the instructions at <https://www.zennio.com/en/legal/wEEE-regulation>.