

FEATURES

- 3mm-thickness stainless steel plate.
- Suitable for electric strike ZAC-CENF24.
- It fits with left and right-hand swing doors.
- Dimensions
 - 250 x 25.1 x 3mm.
 - 250 x 35.1 x 3mm.
- Flush mounting in door frame.

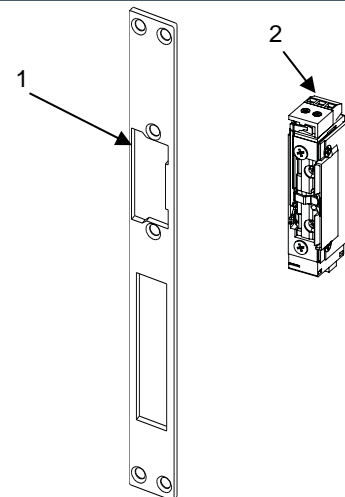
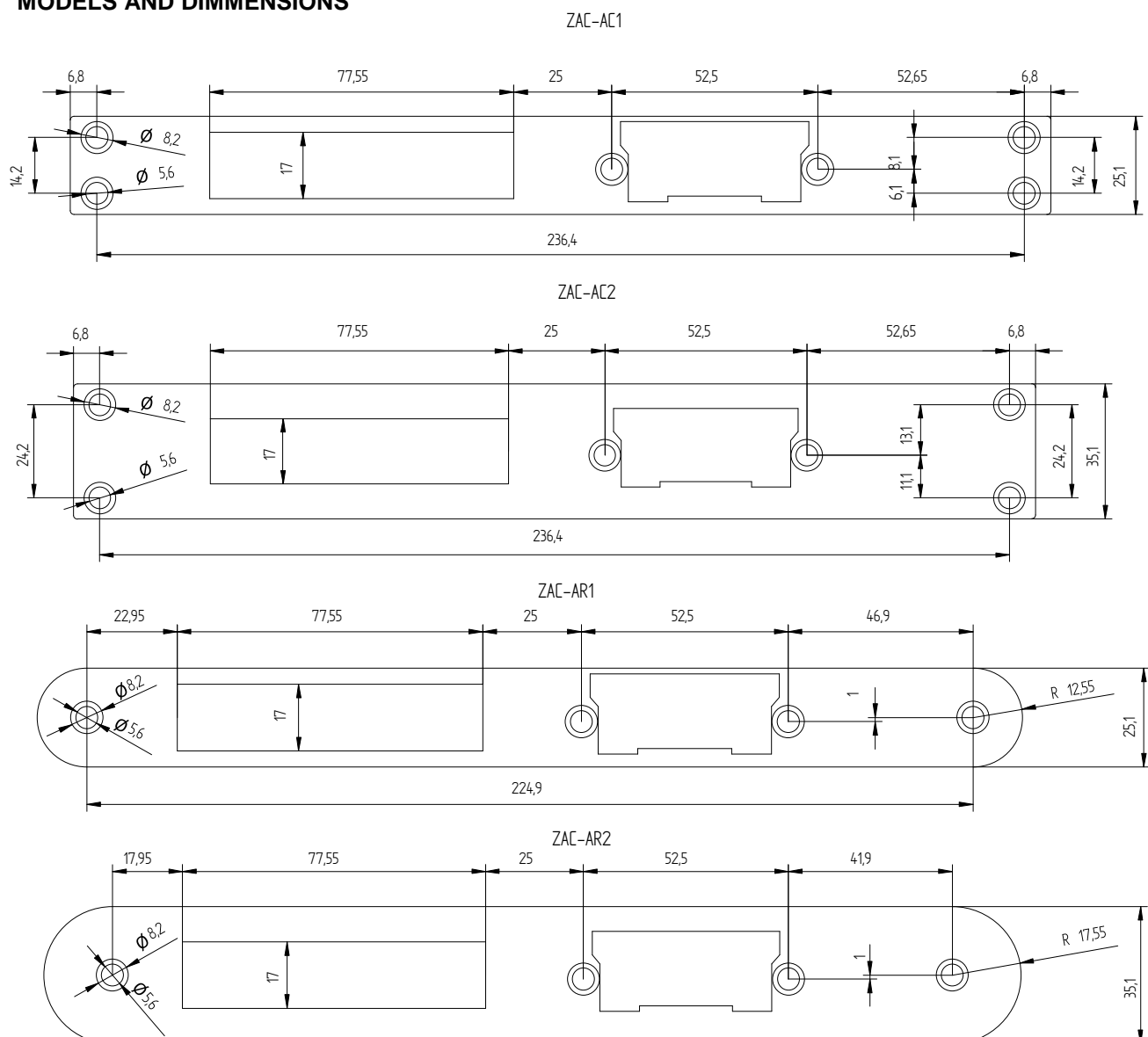


Figure 1. Plate for electric strike

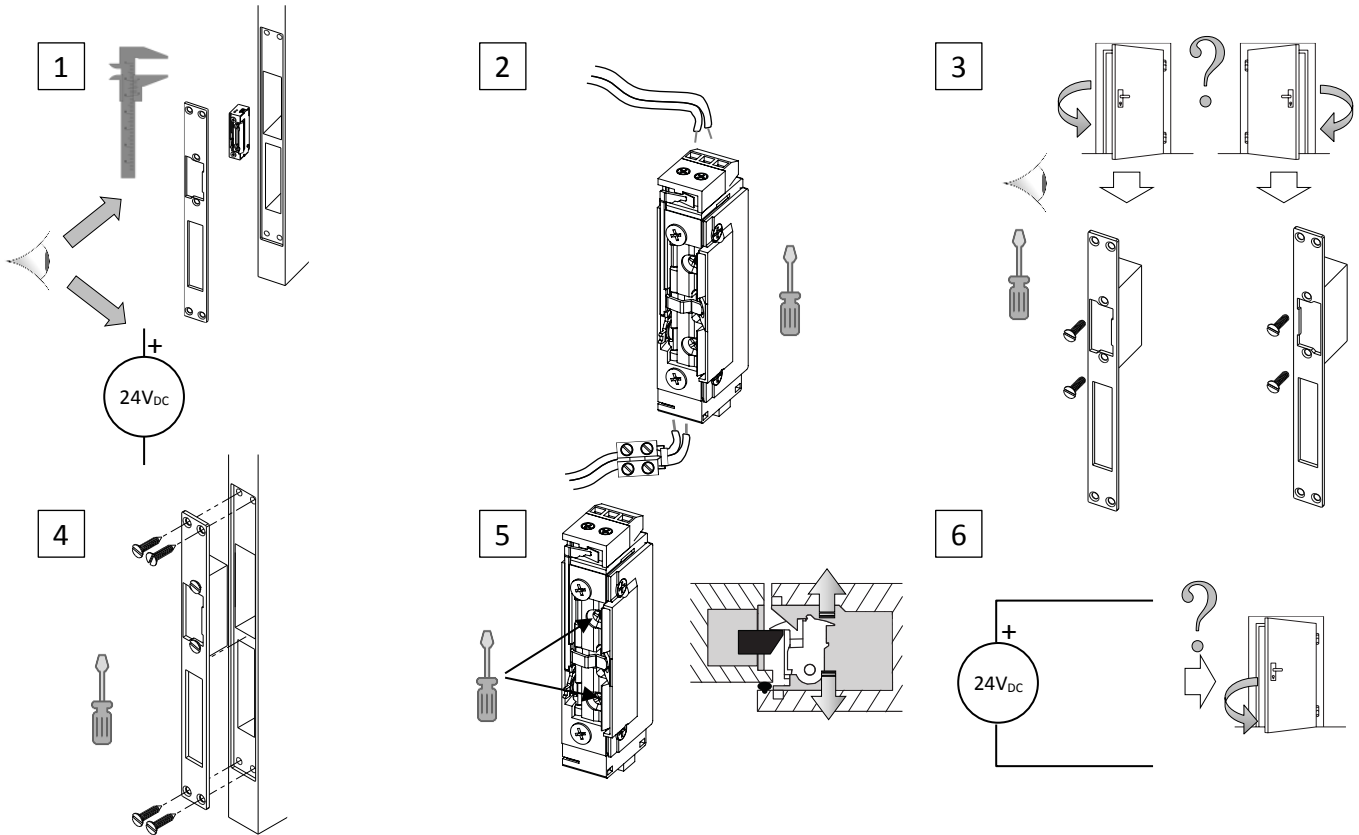
- | |
|---------------------------------------------------------------------------------|
| <p>1. Plate for electric strike</p> <p>2. Electric strike (sold separately)</p> |
|---------------------------------------------------------------------------------|

MODELS AND DIMMENSIONS



ASSEMBLY DIAGRAM

1. Check that the hole in the door frame fits with the electric strike and its plate. Before starting the connection, please check the voltage of the auxiliary power source (24VDC) and that the available power is enough.
2. Connect the wiring of the electric strike.
3. Fix the electric strike to the plate by using the crews. Please consider whether the door swing is left-hand or right-hand.
4. Fix the assembly in the frame hole by using screws.
5. Adjust, if needed, the tab of the electric strike in order to ensure that the door closes correctly.
6. Check that the electric strike works properly by powering it up **temporarily**.



SAFETY INSTRUCTIONS

- Installation should only be performed by qualified professionals according to the laws and regulations applicable in each country.