

### FEATURES

- 3 analog/digital inputs.
- 10 Logic functions.
- Total data saving on KNX bus failure.
- Integrated KNX BCU.
- Dimensions 39 x 39 x 14mm.
- Can be mounted within distribution boxes, junction boxes or wall back boxes.
- Conformity with the CE directives (CE-mark on the front side).

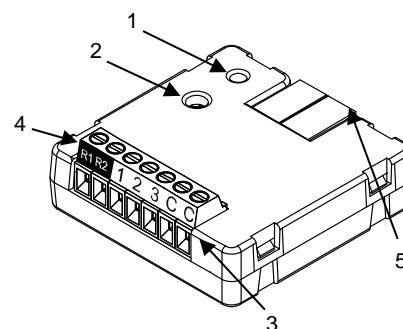


Figure 1: KLIC-PA

1. Programming LED	2. Programming button	3. Inputs
4. Air conditioning equipment connection		5. KNX connector
<p>Programming button: short press to set programming mode. If this button is held while plugging the device into the KNX bus, it enters the safe mode.</p> <p>Programming LED: programming mode indicator (red). When the device enters the safe mode, it blinks (red) every half second. During the start-up (reset or after KNX bus failure) and if the device is not in safe mode, it emits a red flash.</p>		

### GENERAL SPECIFICATIONS

CONCEPT		DESCRIPTION		
Type of device		Electric operation control device		
KNX supply	Voltage (typical)	29VDC SELV		
	Voltage range	21..31VDC		
	Maximum consumption	Voltage	mA	mW
		29VDC (typical)	4.1	122,09
24VDC <sup>1</sup>	10	240		
Connection type		Typical TP1 bus connector for 0.80mm Ø rigid cable		
External power supply		Not required		
Operation temperature		0°C .. +55°C		
Storage temperature		-20°C .. +55°C		
Operation humidity		5 .. 95% (No condens.)		
Storage humidity		5 .. 95% (No condens.)		
Complementary characteristics		Class B		
Protection class		III		
Operation type		Continuous operation		
Device action type		Type 1		
Electrical stress period		Long		
Degree of protection		IP20, clean environment		
Installation		Independent device to be mounted in electrical panels, distribution boxes, junction boxes or wall back boxes. It must not be installed inside the air conditioning equipment.		
Minimum clearances		Not required		
Response on KNX bus failure		Data saving according to parameterization		
Response on KNX bus restart		Data recovery according to parameterization		
Operation indicator		The programming LED indicates programming mode (red).		
Weight		30g		
PCB CTI index		175V		
Housing material		PC FR V0 halogen free		

<sup>1</sup> Consumo máximo en el peor escenario (modelo Fan-In KNX)

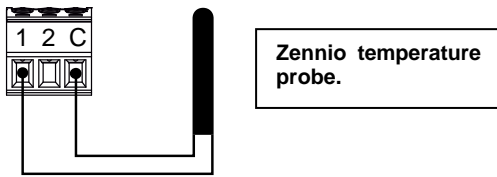
INPUTS SPECIFICATIONS AND CONNECTIONS	
CONCEPT	DESCRIPTION
Number of inputs	3
Inputs per common	3
Operation voltage	+3.3VDC in the common
Operation current	1mA @ 3.3VDC (per input)
Switching type	Dry voltage contacts between input and common
Connection method	Screw terminal block
Cable cross-section	0.2-1.0mm <sup>2</sup> (DIN) / 26-16AWG (UL)
Maximum cable length	30m
NTC probe length	1.5m (up to 30m)
NTC accuracy (@ 25°C) <sup>2</sup>	±0.5°C
Temperature resolution	0.1°C
Maximum response time	10ms

<sup>2</sup> For Zennio temperature probes.

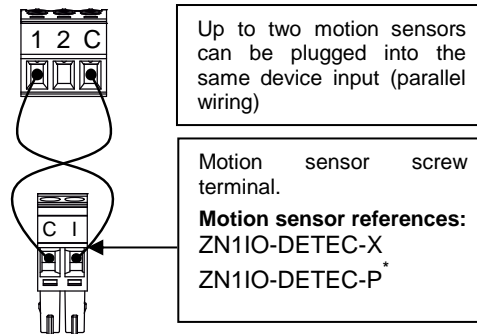
### INPUTS CONNECTION

Any combination of the following **accessories** is allowed in the inputs:

#### Temperature Probe\*\*



#### Motion Sensor



#### Switch/Sensor/ Push button



\* The micro switch number 2 in the ZN1IO-DETEC-P must be in **Type B position** to work properly.

\*\*May be a Zennio temperature probe or any NTC with known resistance values at three points in the range [-55, 150°C].

AIR CONDITIONING EQUIPMENT SPECIFICATION AND CONNECTIONS	
CONCEPT	DESCRIPTION
Maximum cable length	30m
Connection method	Screw terminal block
Cable cross-section	0.2-1.0 mm <sup>2</sup> (DIN) / 26-16AWG (UL)

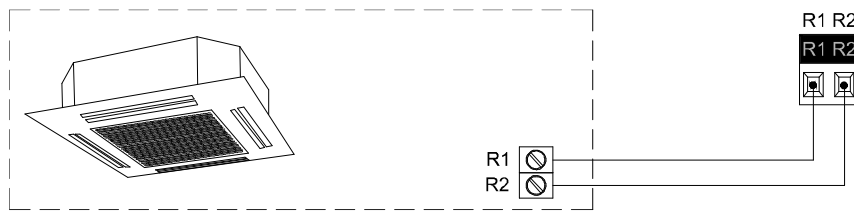
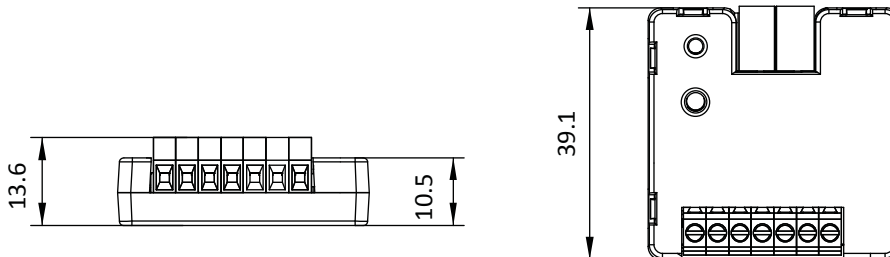


Figure 2: Wiring KLIC-PA to the Air Conditioning Equipment

### DIMENSIONS



### SAFETY INSTRUCTIONS

- Installation should only be performed by qualified professionals according to the laws and regulations applicable in each country.
- Do not connect the mains voltage nor any other external voltage to any point of the KNX bus; it would represent a risk for the entire KNX system. The facility must have enough insulation between the mains (or auxiliary) voltage and the KNX bus or the wires of other accessories, in case of being installed.
- Once the device is installed (in the panel or box), it must not be accessible from outside.
- Keep the device away from water and do not cover it with clothes, paper or any other material while in use.
- The WEEE logo means that this device contains electronic parts and it must be properly disposed of by following the instructions at <http://zennio.com/weee-regulation>.