

FEATURES

- KNXnet/IP tunneling protocol (up to 4 connections).
- 6 status LED.
- Low current consumption.
- Manual function enable/disable button.
- Ethernet 10/100 BaseT IP.
- RJ45 socket.
- External supply voltage from 12 to 30VDC.
- Dimensions: 90 x 70 x 35mm (2 DIN units).
- DIN rail unit assembly (EN 50022), with snap fit clamp.
- KNX BCU integrated.
- CE directives compliant.

1-RJ45 socket	2-Ethernet line LED	3-Ethernet line traffic LED	4- Group address LED
5-Manual function button	6-KNX line LED	7-KNX line traffic LED	8-Physical address LED
9-Programming LED	10-Programming button	11-External supply voltage connector	12-KNX line connector

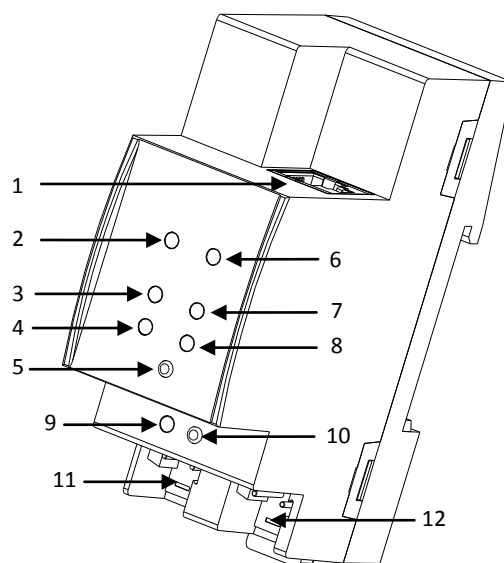


Figure 1. KNX-IP Interface

GENERAL SYSTEM SPECIFICATIONS				
CONCEPT		DESCRIPTION		
Type of device		Electric operation control device		
KNX supply	Voltage (typical)	29V DC		
	Voltage range	21... 30V DC		
	Maximum consumption	Voltage	mA	mW
		29VDC (typical)	4.5	130.5
24VDC	5	120		
Bus connection		Typical bus connector TP1, 0.50 mm ² section		
External power supply		From 12 to 30VDC		
Consumption		800mW maximum (520mW typical)		
Ambient temperature		From -5°C to +45°C		
Storage temperature		From -20°C to +60°C		
Ambient humidity		From 5% to 93% RH (no condensation)		
Storage humidity (relative)		From 5% to 93% RH (no condensation)		
Complementary characteristics		Class B		
Safety class		III		
Operation type		Continuous operation		
Device action type		Type 1		
Electrical solicitations period		Long		
Type of protection		IP20, clean environment		
Assembly		Independent control assembly device to be mounted inside of electrical panels with DIN rail (EN 50022).		
Status LED	Ethernet line	Green (Ethernet line OK), red (manual overwrite active), OFF (error)		
	KNX line	Green (KNX line OK), OFF (error or not connected), red (default values reset), blinking green (boot mode)		
	Ethernet line traffic	Blinking: green (traffic on Ethernet line), red (error), OFF (no traffic)		
	KNX line traffic	Blinking: green (traffic on KNX line), red (error), OFF (no traffic)		
	Group address (GA)	OFF (normal operation), red (default values reset)		
Physical address (PA)	OFF (normal operation), red (programming mode active), blinking red (Ethernet cable not connected)			
Weight		66gr.		
IP Connector	Ethernet connector	RJ45		
	IP communication	Ethernet 10/100 BaseT (up to 10Mbits)		
Enclosure		Plastic PA66, grey		

SAFETY INSTRUCTIONS



- Do not connect Mains Voltage (230 V) or any other external voltages to any point of the bus. Connecting an external voltage might put the entire KNX system at risk.
- Make sure during the installation that there is always sufficient insulation between the mains voltage 230V and the bus or the extension inputs.
- Keep away from water or humidity.