

FEATURES

- Room access control through NFC technology access cards (MIFARE DESFire EV1 and MIFARE Classic) and Bluetooth communication
- Electronic module for the internal side of the door
- 3 touch areas on the internal module
- Backlighting of touch areas to indicate their status
- Customizable colour access LED indicator
- Sound notifications and doorbell functionality
- Luminosity and proximity sensor
- Integrated KNX BCU (TP1-256)
- Internal module dimensions: 62 x 78 x 11 mm
- Conformity with the CE, UKCA, RCM directives (marks on the rear side)

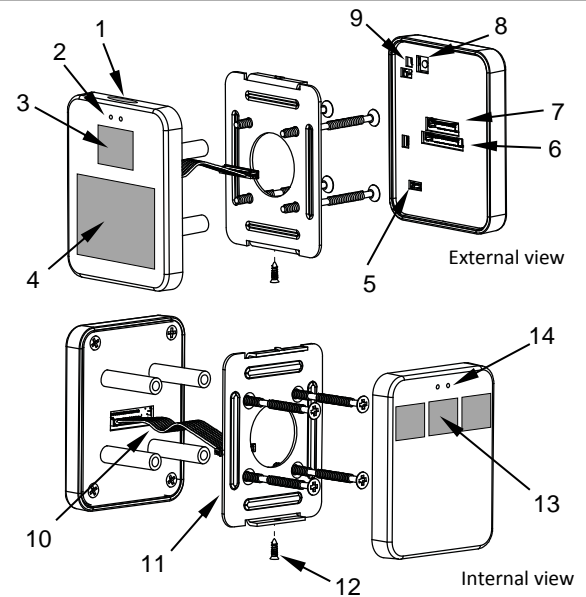


Figure 1: IDAC

1. Access LED indicator	2. Luminosity and proximity sensor	3. Touch area	4. NFC card reader
5. Tamper switch	6. 15-pin connector	7. 12-pin connector	8. Programming button
9. Programming LED	10. 15-pin interconnection cable	11. Fixing plate and screws for flush mounting on the door	
12. Security screw	13. Touch areas	14. Luminosity and proximity sensor	

Programming button: short press to set programming mode. If this button is held while plugging the cable coming from the electric lock (12-pin), it enters the safe mode.

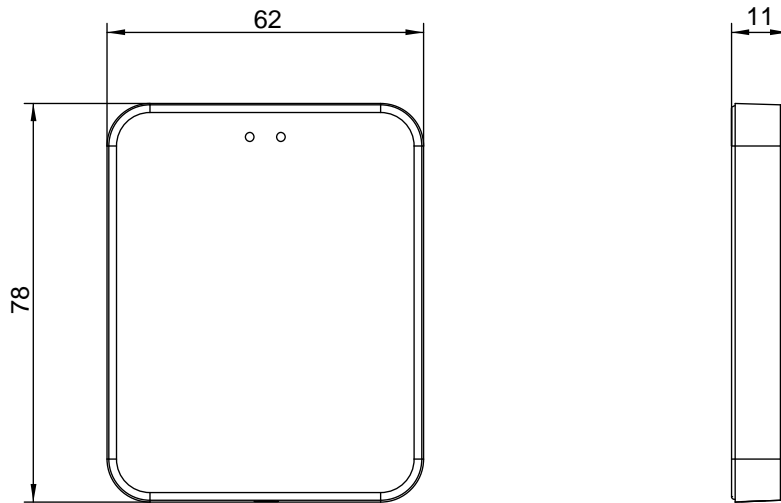
Programming LED: programming mode indicator (red). When the device enters the safe mode, it blinks (red) every half second.

GENERAL SPECIFICATIONS

CONCEPT		DESCRIPTION		
Type of device		Electric operation control device		
Power supply (from the electric lock)	Voltage (typical)	29 VDC SELV		
	Voltage range	21-31 VDC		
	Maximum consumption	Voltage	mA	mW
		29 VDC (typical)	27.85	807.65
		24 VDC ¹	35	840
Connection type	The internal module is powered from the cable with a 12-pin connector coming from the lock. The external module is powered from the interconnection cable with a 15-pin connector coming from the internal module.			
External power supply		Not required		
Operation temperature		0 .. +55 °C		
Storage temperature		-20 .. +55 °C		
Operation humidity		5 .. 95%		
Storage humidity		5 .. 95%		
Complementary characteristics		Class B		
Protection class		III		
Operation type		Continuous operation		
Device action type		Type 1		
Electrical stress period		Long		
Degree of protection		IP20, clean environment		
Installation		Flush mount in the door		
Minimum clearances		Not required		
Response on KNX bus failure		Usual functionality with the device powered from the battery		
Response on KNX bus restart		KNX communication recovery and battery charge		
Operation indicator		Backlighting of the touch areas depending on their / the parameterization. The access LED indicates programming mode (blinking red) and illuminates according to the room status and the LED color parametrization when an NFC card is detected.		
Modules weight:		108 g		
PCB CTI index		175 V		
Housing material		PC FR V2 halogen free		


¹ Maximum consumption in the worst-case scenario (KNX Fan-In model).

DIMENSIONS (mm)



Internal module

SAFETY INSTRUCTIONS AND ADDITIONAL NOTES

- Installation should only be performed by qualified professionals according to the laws and regulations applicable in each country.
- Do not connect the mains voltage nor any other external voltage to any point of the KNX bus; it would represent a risk for the entire KNX system. The facility must have enough insulation between the mains (or auxiliary) voltage and the KNX bus or the wires of other accessories, in case of being installed.
- Keep the device away from water (condensation over the device included) and do not cover it with clothes, paper or any other material while in use.
-  The WEEE logo means that this device contains electronic parts and it must be properly disposed of by following the instructions at <https://www.zennio.com/en/legal/weee-regulation>.
- This device contains software subject to specific licences. For details, please refer to <http://zennio.com/licenses>.