

FEATURES

- External 230V 50/60Hz power supply
- Up to 3 speeds control for ceiling fans
- Manual control through push button and LED indicator
- 10 logic functions
- Total data saving on KNX bus failure
- Integrated KNX BCU
- Dimensions 67 x 90 x 35mm (2 DIN units)
- DIN rail mounting (EN 50022), through pressure
- Conformity with the CE directives (CE-mark on the right side)

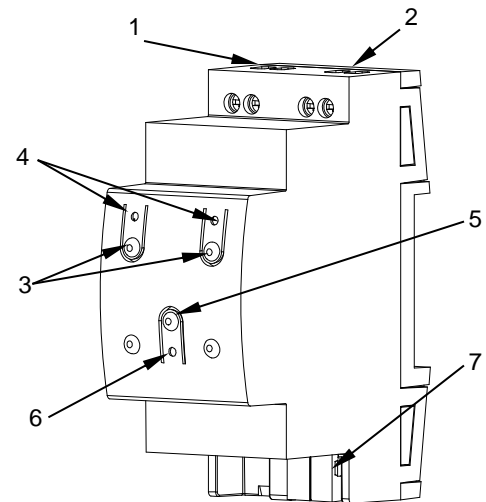


Figure 1: FANinBOX 230V 1CH

1. Power supply input	2. Fan output	3. Speed control buttons	4. Speed indicator LEDs
5. Programming/Test button	6. Programming/Test LED	7. KNX Connector	

Programming/Test button: short press to set programming mode. If this button is held while plugging the device into the KNX bus, it enters the safe mode. If this button is held for more than 3 seconds, the device enters the test mode.

Programming/Test LED: programming mode indicator (red). When the device enters the safe mode, it blinks (red) every half second. The manual mode is indicated by the green color. During the start-up (reset or after KNX bus failure) and if the device is not in safe mode, it starts a blue blinking sequence.

GENERAL SPECIFICATIONS

CONCEPT		DESCRIPTION		
Type of device		Electric operation control device		
KNX supply	Voltage (typical)	29VDC SELV		
	Voltage range	21..31VDC		
	Maximum consumption	Voltage	mA	mW
		29VDC (typical)	3.9	113.1
24VDC ¹	10	240		
Connection type		Typical TP1 bus connector for 0.80mm Ø rigid cable		
External power supply		230VAC 50/60Hz		
Operation temperature		0°C .. +55°C		
Storage temperature		-20°C .. +55°C		
Operation humidity		5 .. 95%		
Storage humidity		5 .. 95%		
Complementary characteristics		Class B		
Protection class / Overvoltage category		II / III (4000V)		
Operation type		Continuous operation		
Device action type		Type 1		
Electrical stress period		Long		
Degree of protection / Pollution degree		IP20 / 2 (clean environment)		
Installation		Independent device to be mounted inside electrical panels with DIN rail (EN 50022)		
Minimum clearances		Not required		
Response on KNX bus failure		Data saving according to parameterization		
Response on KNX bus restart		Data recovery according to parameterization		
Operation indicator		The programming LED indicates programming mode (red) and test mode (green). The output LEDs indicate its status (fixed = full speed; fast/slow flashing = high/slow speed; off = stopped)		
Weight		109g		
PCB CTI index		175V		
Housing material / Ball pressure test temperature		PC FR V0 halogen free / 75°C (housing) - 125°C (connectors)		

¹ Maximum consumption in the worst-case scenario (KNX Fan-In model).

OUTPUTS SPECIFICATIONS AND CONNECTIONS	
CONCEPT	DESCRIPTION
Number of outputs	1
Output type	Relays based control device
Maximum recommended load per output	100W
Minimum load per output	30W
Short-circuit protection	NO
Overload protection	NO
Connection method	Screw terminal block
Cable cross-section	0,5-2,5mm ² (IEC) / 26-12AWG (UL)
Outputs per common	1
Maximum response time	15ms
Mechanical lifetime (min. cycles)	3 000 000
Electrical lifetime (min. cycles)	100000 @ 8A / 25000 @ 16A (VAC)

¹ Lifetime values could change depending on the load type.

EXTERNAL POWER SUPPLY SPECIFICATIONS AND CONNECTIONS	
CONCEPT	DESCRIPTION
Voltage	230VAC
Connection method	Screw terminal block
Cable cross-section	0,5-2,5mm ² (IEC) / 26-12AWG (UL)

WIRING DIAGRAMS

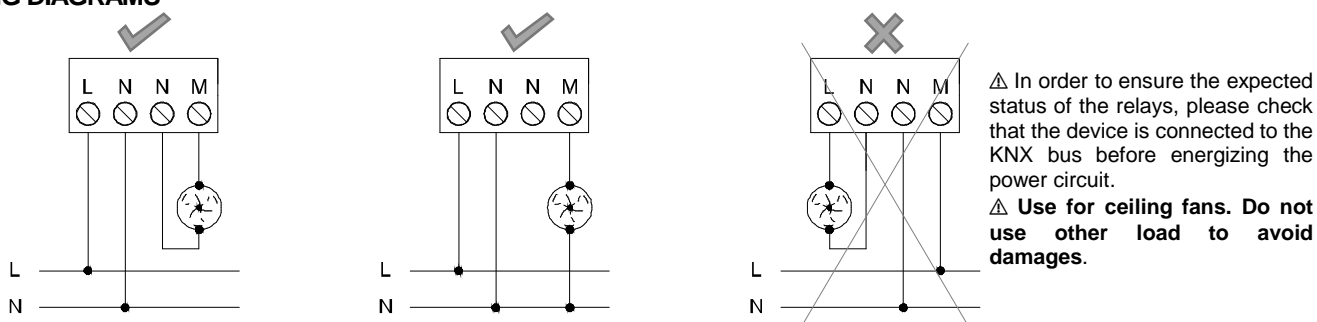
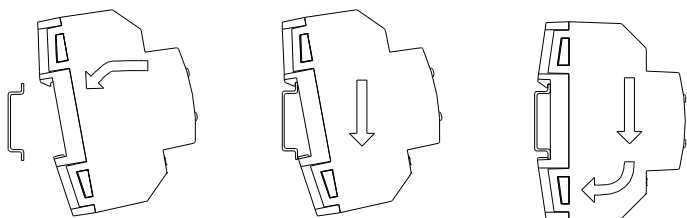


Figure 2: Wiring diagram of a fan

Attaching FANinBOX 230V 1CH to DIN rail:



Removing FANinBOX 230V 1CH from DIN rail:

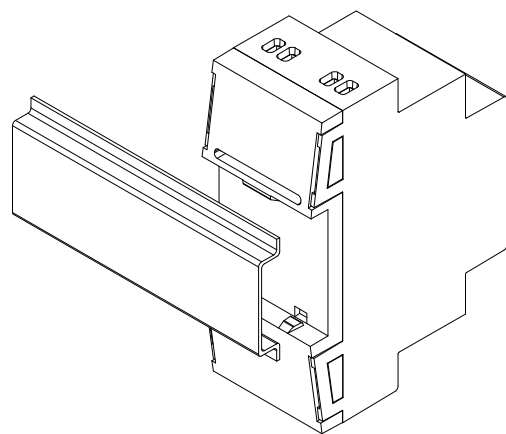
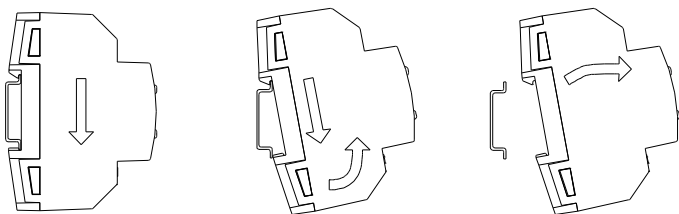


Figure 3: Mounting FANinBOX 230V 1CH on DIN rail

SAFETY INSTRUCTIONS AND ADDITIONAL NOTES

- Installation should only be performed by qualified professionals according to the laws and regulations applicable in each country.
- Do not connect the mains voltage nor any other external voltage to any point of the KNX bus; it would represent a risk for the entire KNX system. The facility must have enough insulation between the mains (or auxiliary) voltage and the KNX bus or the wires of other accessories, in case of being installed.
- The facility must be equipped with a device that ensures the omnipolar sectioning. Installation of a 10A mini-circuit-breaker is recommended. To prevent accidents, it must remain open in case of manipulation of the device.
- Once the device is installed (in the panel or box), it must not be accessible from outside.
- Keep the device away from water (condensation over the device included) and do not cover it with clothes, paper or any other material while in use.
- The WEEE logo means that this device contains electronic parts and it must be properly disposed of by following the instructions at <https://www.zennio.com/en/legal/weee-regulation>.
- This device contains software subject to specific licences. For details, please refer to <http://zennio.com/licenses>.