

## FEATURES

- External 24VDC power supply.
- Dimensions 85 x 20.1 x 29.4mm.
- Latch depth: 4.6mm.
- Tab fit range: +2 / -1mm.
- Flush-mounted on door frame.
- Normally-closed electric strike.
- Conformity with the CE directives (CE-mark on the side).

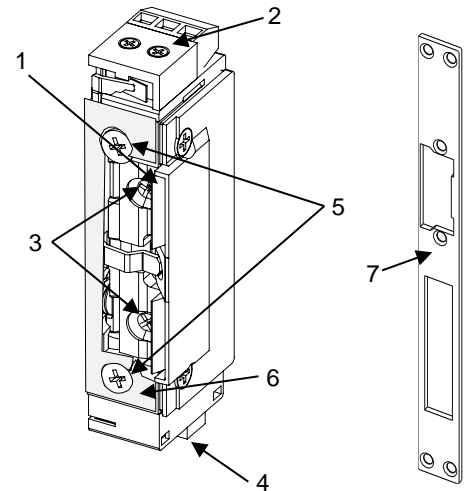


Figure 1. Electric Strike

1. Opening tab	2. Door contact output connector	3. Tab fit screws	4. Power supply connection
5. Screws to fix the electric strike to the plate	6. Thickness adaptor plate	7. Plate for electric strike (sold separately)	

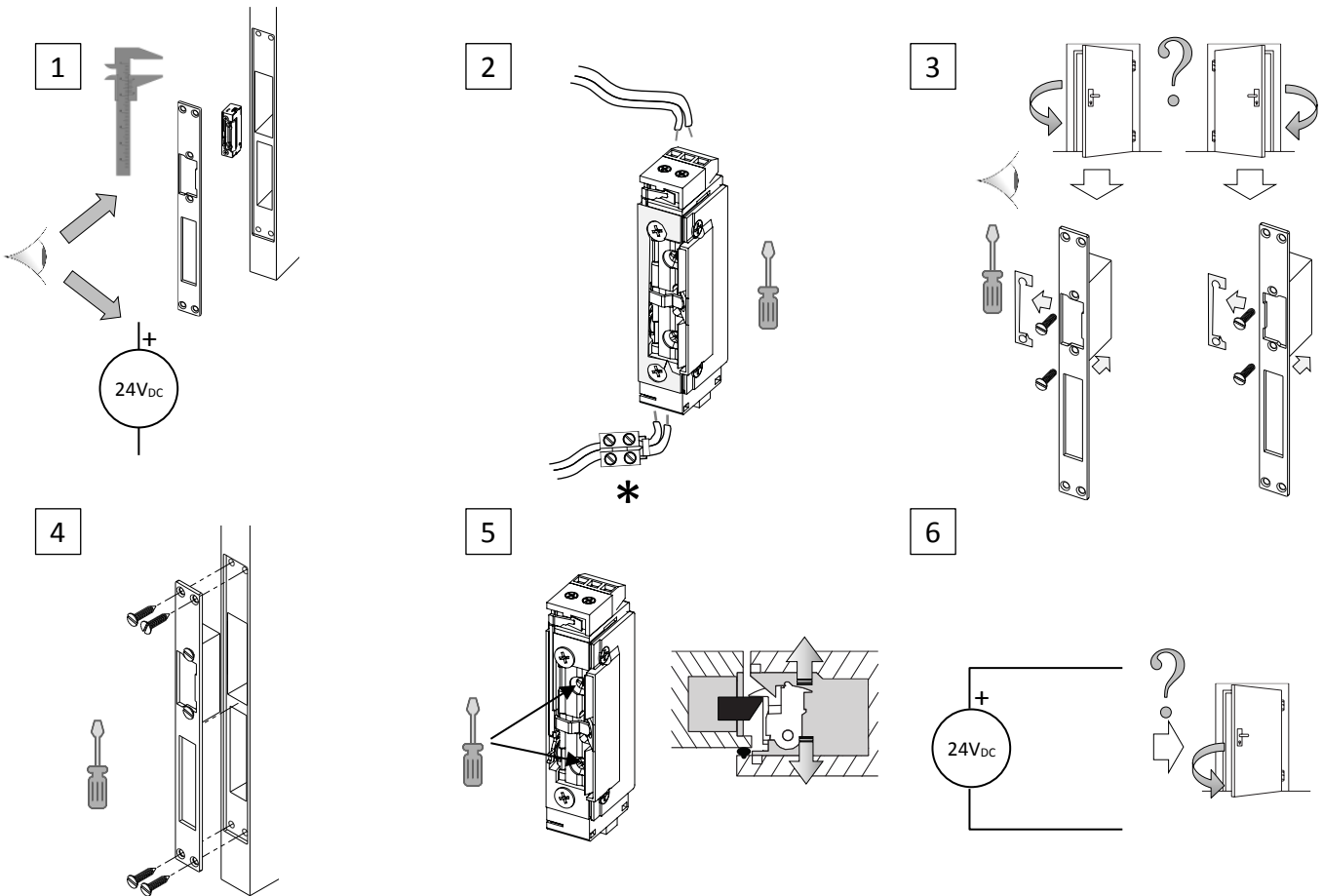
GENERAL SPECIFICATIONS	
CONCEPT	DESCRIPTION
Type of device	Electric operation control device
External power supply	24VDC
Operation temperature	-15°C to +40°C
Storage temperature	-20°C to +55°C
Operation humidity	5 to 95% RH (no condensation)
Storage humidity	5 to 95% RH (no condensation)
Complementary characteristics	Class B
Protection class	III
Operation type	Short-term operation
Device action type	Type 1
Electrical stress period	Long
Degree of protection	IP20, clean environment
Installation	Flush-mounted on door frame
Maximum present strength to allow opening	220N
Maximum supported strength	3230N
Weight	149g

ELECTRIC STRIKE SPECIFICATIONS AND CONNECTIONS	
CONCEPT	DESCRIPTION
Voltage	24VDC
Consumed current	630mA
Actuation maximum time (@24VDC)	30s
Winding resistance	38Ω
Electrical lifetime cycles (@24VDC)	400000
Connection method	Screw terminal block
Cable cross-section	0.5mm <sup>2</sup> to 4mm <sup>2</sup> (26-10AWG)

LIMIT SWITCH CONTACT SPECIFICATIONS AND CONNECTIONS	
CONCEPT	DESCRIPTION
Contact possibilities	Normally Open and Normally Closed
Output type	Potential-free contact
Connection method	Screw terminal block
Cable cross-section	0.5mm <sup>2</sup> to 2.5mm <sup>2</sup> (26-12 AWG)

## ASSEMBLY DIAGRAM

1. Check that the hole in the door frame fits with the electric strike and its plate. Before starting the connection, please check the voltage of the auxiliary power source (24VDC) and that the available power is enough.
2. Connect the wiring by following the previous diagram respecting the polarity of the supply.
3. Replace the *Thickness adaptor plate* with the plate taking care to avoid losing any parts. Please consider whether the door swing is left-hand or right-hand.
4. Fix the assembly in the frame hole by using screws.
5. Adjust, if needed, the tab in order to ensure that the door closes correctly. It is recommended to try the central position.
6. Check that the electric strike works properly by powering it up **temporarily**.



### ⚠ IMPORTANT NOTE:

\* The electric strike must be protected against voltage peaks during the switch-off of the inductive load. To that end, please connect the supplied varistor next to the electric strike.

### ⚠ SAFETY INSTRUCTIONS

- Installation should only be performed by qualified professionals according to the laws and regulations applicable in each country.
- Keep the device away from water and do not cover it with clothes, paper or any other material while in use.
- The device must not be lubricated. Contact with dust, dirtiness or paint must be avoided.
- The WEEE logo means that this device contains electronic parts and it must be properly disposed of by following the instructions at <http://zennio.com/weee-regulation>.