

FEATURES

- External 24VDC power supply.
- Auxiliary audio line input.
- Bluetooth connection with up to 2 paired devices.
- Bluetooth version 4.2 supported.
- Two amplified mono or stereo outputs.
- Total data saving on KNX bus failure.
- Integrated KNX BCU.
- Dimensions 165 x 44 x 23mm.
- Surface-mounted inside non-metallic panels or boxes.
- Conformity with the CE directives (CE-mark on the front side).

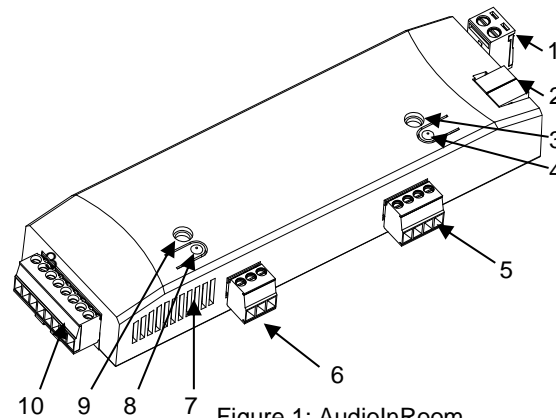


Figure 1: AudioInRoom

1. External supply	2. KNX connector	3. Programming LED	4. Programming button	5. IR emitter (without use)
6. Auxiliary audio input	7. Ventilation opening	8. Test button	9. Test LED	10. Amplified outputs

Programming button: short press to set programming mode. If this button is held while plugging the device into the KNX bus, it enters the safe mode.

Programming LED: programming mode indicator (red). When the device enters the safe mode, it blinks (red) every half second. During the start-up (reset or after KNX bus failure) and if the device is not in safe mode, it emits a red flash.

Test button: Long press to enter the Bluetooth pairing mode.

Test LED: KNX bus failure (red flashing), Bluetooth pairing mode (green) and device on with Bluetooth active (blue). Red light can be combined with other colors if both indications are active at the same moment.

GENERAL SPECIFICATIONS

CONCEPT		DESCRIPTION		
Type of device		Electric operation control device		
KNX supply	Voltage (typical)	29VDC SELV		
	Voltage range	21..31VDC		
	Maximum consumption	Voltage	mA	mW
		29VDC (typical)	3.2	92.8
24VDC ¹	10	240		
Connection type		Typical TP1 bus connector for 0.80mm Ø rigid cable		
External power supply		24VDC / 2.5A		
Operation temperature		0°C .. +55°C		
Storage temperature		-20°C .. +55°C		
Operation humidity		5 .. 95% (No condens.)		
Storage humidity		5 .. 95% (No condens.)		
Complementary characteristics		Class B		
Protection class		III		
Operation type		Continuous operation		
Device action type		Type 1		
Electrical stress period		Long		
Degree of protection		IP20, clean environment		
Installation		Independent device to be surface-mounted inside non-metallic electrical panels or boxes. The installation is also possible in false ceiling.		
Minimum clearances		Ventilation opening must not be blocked.		
Radio coverage Bluetooth		Up to 25m ²		
Response on KNX bus failure		Data saving according to parameterization		
Response on KNX bus restart		Data recovery according to parameterization		
Operation indicator		The programming LED indicates programming mode (red). The Test LED indicates KNX bus failure (red flashing), Bluetooth pairing mode (green) and device on with Bluetooth active (blue). Red light can be combined with other colors if both indications are done at the same moment.		
Weight		103g		
PCB CTI index		175V		
Housing material		PC FR V0 halogen free		

¹ Maximum consumption in the worst case scenario (KNX Fan-In model)

² The presence of obstacles, surfaces or walls could modify or reduce the coverage distance.

INPUT SPECIFICATIONS AND CONNECTIONS		
CONCEPT		DESCRIPTION
Power supply protection fuse	Voltage/ Current	24V / 5A
	Response type	F (Fast acting)
Maximum current ³		2.5A
Connection method		Pluggable screw terminal block
Cable cross-section		0.5-2.5mm ² (IEC) / 28-12AWG (UL)

³ Power supply ZPS-AUX1 is recommended

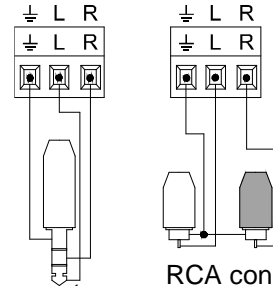
AUX INPUT SPECIFICATIONS AND CONNECTIONS	
CONCEPT	DESCRIPTION
Input type ⁴	Asymmetric input (stereo)
Connection method	Pluggable screw terminal block
Cable cross-section	0.2-1.5mm ² (IEC) / 16-30AWG (UL)
Maximum cable length	30m

⁴ Voltage of the auxiliary input must be lower than 1Vpp

AMPLIFIED OUTPUTS SPECIFICATIONS AND CONNECTIONS	
CONCEPT	DESCRIPTION
Channels quantity and type	2 stereo or mono channels
Output type ⁵	Amplified output
Loudspeaker impedance allowed	4 to 16Ohm
Minimum loudspeaker power allowed	10W
Overload protection	YES
Overvoltage protection	YES
Connection method	Pluggable screw terminal block
Cable cross-section	0.2-1.5mm ² (IEC) / 16-30AWG (UL)
Maximum cable length	30m

⁵ Loudspeaker ZAC-LS3 or ZAC-LS4 is recommended

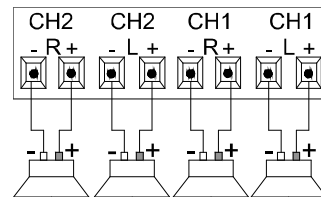
AUX INPUT CONNECTION



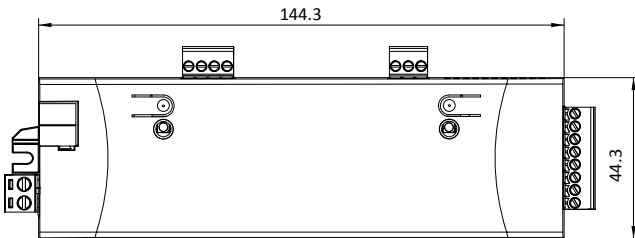
Jack connector
(6.3, 3.5 o 2.5)

RCA connector

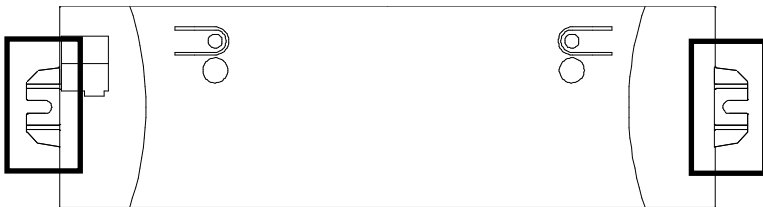
AMPLIFIED OUTPUT CONNECTION



DIMENSIONS



INSTALLATION INSTRUCTIONS



- To make an appropriate use of the device, it has to be duly screwed, using two screws, to the surface to be installed.
- The installation of this device must ensure that the ventilation slots are faced upside or sideways, never downside.
- The screws, not included, have to be fixed in the designated areas (these areas are identified in the scheme on the left).
- The screws have the next characteristics:
 - Metric: M3 or M4.
 - Countersunk: 5.5 – 7.5mm.
 - Length: 15mm minimum (it is possible that it is necessary to use an anchor for the screw depending on the wall's material).

SAFETY INSTRUCTIONS

- Installation should only be performed by qualified professionals according to the laws and regulations applicable in each country.
- Do not connect the mains voltage nor any other external voltage to any point of the KNX bus; it would represent a risk for the entire KNX system. The facility must have enough insulation between the mains (or auxiliary) voltage and the KNX bus or the wires of other accessories, in case of being installed.
- Keep the device away from water and do not cover it with clothes, paper or any other material while in use.
- The WEEE logo means that this device contains electronic parts and it must be properly disposed of by following the instructions at <http://zennio.com/weee-regulation>.