



ONLINE TRAINING

Topic I Visualization & Control

Touch Panel Z38i: Installation and Interaction

 Edition 1
2010

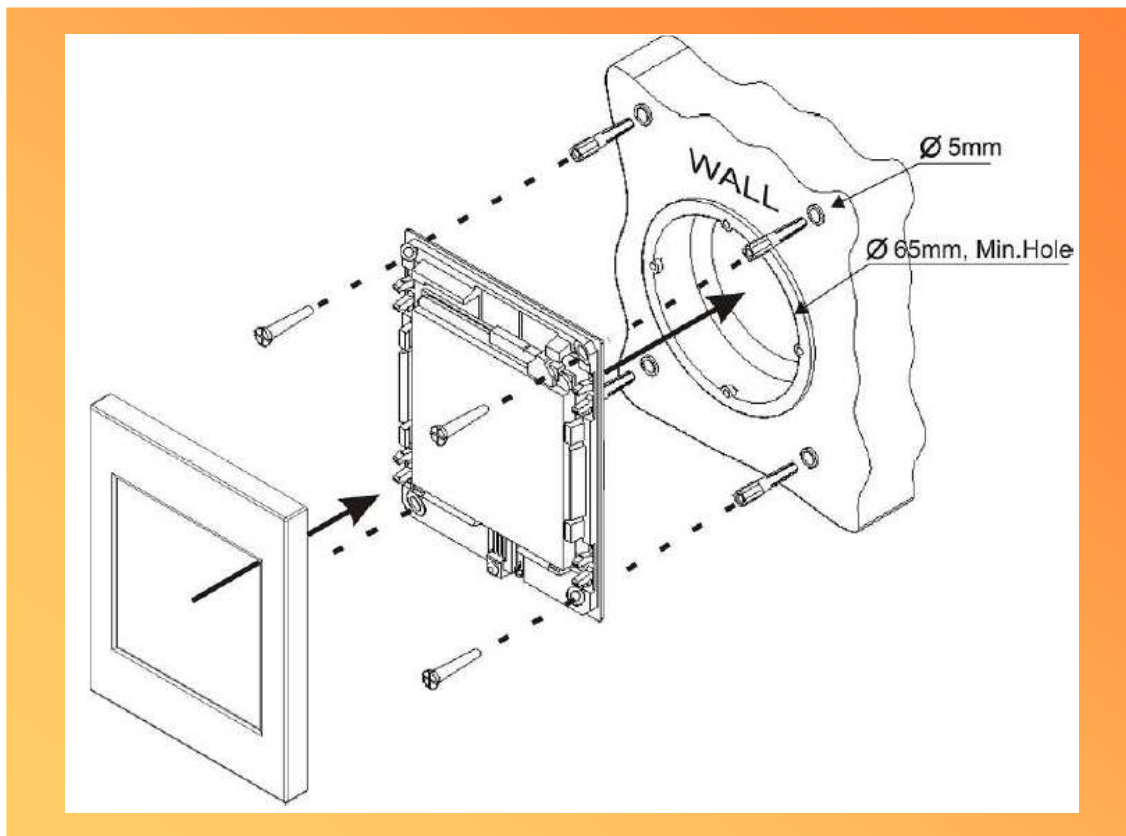
Introduction

In this section we are going to study issues regarding the touch panel installation and the ways of interacting with it.

Installation

The figure shows the touch panel wall mounting scheme.

1. The basic enclosure piece (the one including the display) must be placed into a standard squared box (60mm of minimum side) or rounded box (65 mm of minimum diameter)
2. Inputs and BUS clamps must be connected before setting the piece.
3. Insert the wall fixings. We can previously mark the points in the wall where they are going to be inserted.
4. Once inserted, place the basic enclosure piece and screw it to the wall.



5. Remove the plastic film protector which is protecting the display.
6. And finally, install the cover by pressing on the four fixing points. Be careful of not pressing the display because it can get damaged.

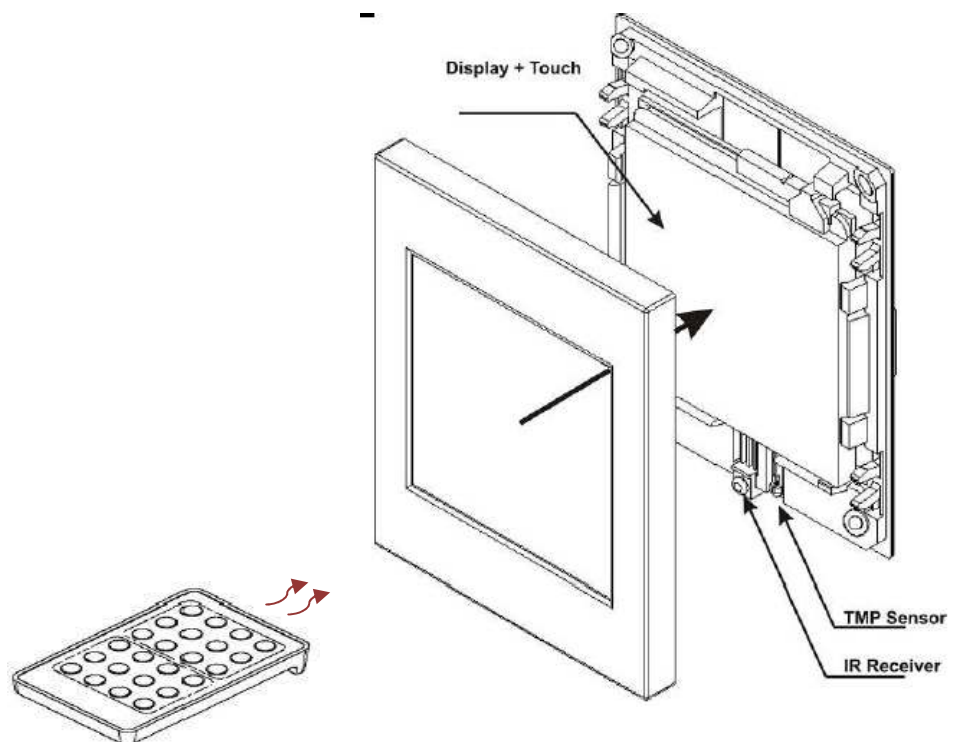
7. Now it is ready to be configured by means of the ETS.



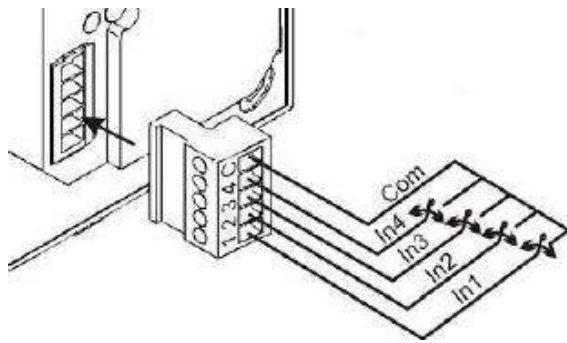
With the display in ON the touch panel consumes 18 mA (10 if the display is OFF). We have to take this into account for dimensioning well the installation due to the maximum load of the power supply.

Interaction

- We have the **display** where we can select the desired option touching the panel.
- We also have the **remote controller** that operates by infrared at a maximum distance of about 10 meters.



- And finally, by means of **push buttons or switches/sensors** that can be connected to the input clamp.



The **input clamp** consists of 4 individual binary inputs and 1 common. For closing the contact we have to join the corresponding Input with the global "Common".



Why should we use these push buttons? For example it is interesting to put them near the touch panel because it could be easier for aged people pushing these buttons instead the display.