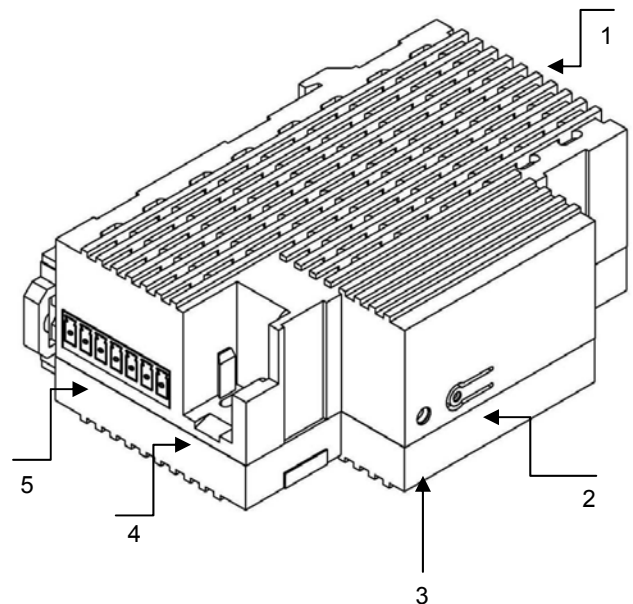


MAIN FEATURES

- Reduced size: 90 x 60 x 35 mm (2 DIN rail units).
- No external supply required different from BUS. .
- EIB/KNX BCU integrated.
- **2 actuation channels** to be configured as:
 - 2 shutter channels or,
 - 1 shutter channel and 2 individual outputs or,
 - 4 individual outputs.
- **6 multi-function opto-coupled binary inputs** for free potential contacts (e.g. push buttons).
 - From serial number **10AAF**, a **NTC temperature probe** and a **motion sensor** can be connected
- Inputs & Outputs connectors wiring can be executed without the device.
- Independent device can be mounted within distribution boxes, junction boxes and cabinets.
- Including Advanced Logical Functions.
- Inputs and Outputs timing facilities.
- CE directives compliant.



Programming button: a push button to set the programming mode. If this button is held while plugging the device into the KNX bus, it goes into secure mode.

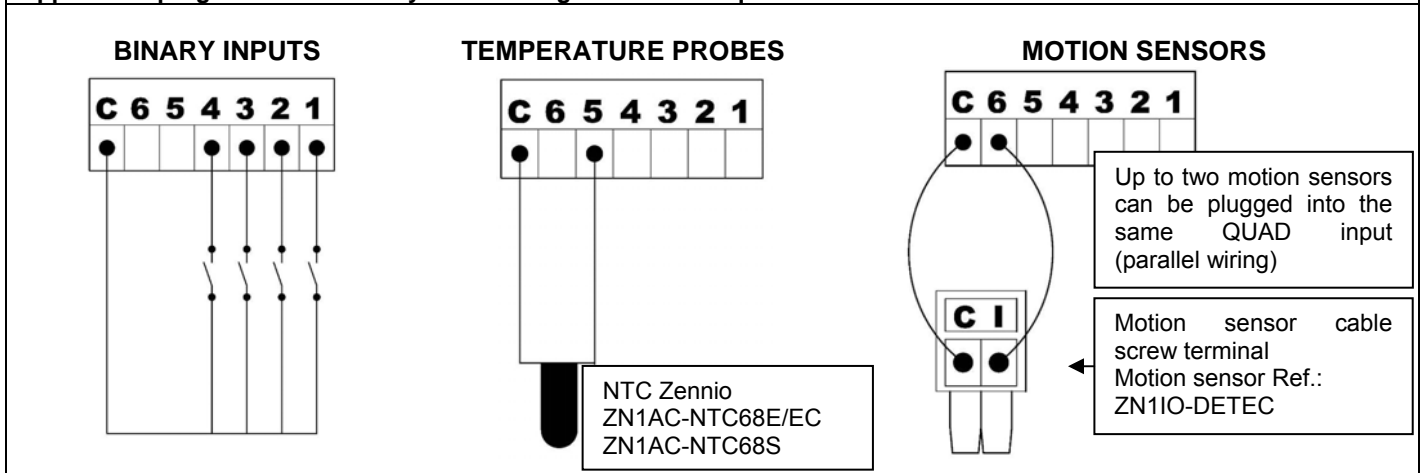
LED: programming mode indicator. When the device goes into secure mode, it blinks every half second

1. Outputs	2. Programming button	3. LED KNX	4. KNX terminal	5. Inputs
------------	-----------------------	------------	-----------------	-----------

GENERAL SPECIFICATIONS		
Concept	Description	
Device type	Electric operation control device.	
Bus supply	Operation voltage	29V DC
	Voltage margin	20.....31VDC
	Power consumption	Max 240mW (all inputs connected)
	Bus connection	Typical TP1 (red-grey) KNX bus connector.
External supply	No	
Ambient temperature	0°C to +55°C	
Storage / transport temperature	-20°C a +70°C	
Ambient humidity (relative)	30 a 85% RH (No condensation)	
Storage humidity (relative)	30 a 85% RH (No condensation)	
Complementary characteristics	Class B	
Safety class:	II	
Operation type	Continuous operation	
Device action type	Type 1	
Electrical solicitations period	Long	
Protection class	IP20, clean environment	
Fitting method	Snap onto DIN rail (2 units width) or install in electrical box	
Minimum clearances	---	
Response to bus voltage failure	Data saving and outputs changes as programmed	
Response in case of restarting	Data recovery and outputs changes as programmed.	
Operation indication	Programming led lighting when pushing programming bottom.	
Weight / Dimensions (W x H x T)	170 g. / 35x90x60mm	
PCB CTi index	175 V	
Enclosure	ABS, flammability category class D.	

INPUTS. SPECIFICATIONS AND CONNECTIONS	
Isolation method	Opto-coupler
Input voltage	+5V DC for the common
Input current	1,0mA at 4,75V DC in every input
Inputs per common	6
Input impedance	Aprox. 4,7kΩ
SwitchTtype	Dry contacts between input and common.
Connection Method	Cable screw terminal and matching socket
NTC probe cable	1.5 m. (extending up to 30m.)
Max. Cable length	30 m.
Max. Section	0,15 mm ² to 1 mm ²
Response time	<10 ms.
Number of digitals inputs	4 (1 st , 2 nd , 3 rd and 4 th inputs)
Number of analogs/digitals inputs	2 (5 th and 6 th inputs)

**Connections Diagrams for ACTinBOX Classic (from serial number 10AAF)
Application program ACTinBOX Hybrid 1.1 o higher version required.**



OUTPUTS. SPECIFICATIONS AND CONNECTIONS		
Contact type	Potential-free make contact. Outputs 1 and 2 NOT VALID for C-Load. Outputs 3 and 4 VALID for Capacitive Load from serial number 09AAD0001 (maximum C-load 140 μF / output).	
Type of disconnection	Micro-disconnection	
Rated current by output	10A 250V AC (2500 VA), 10A 30V DC (300W)	
Rated current by channel	15A 250V AC (3750 VA), 15A 30V DC (450W)	
Outputs per common (channel)	2 outputs per common /per channel	
Switching of different phases	Not possible	
Connection Type	Cable screw terminal and matching socket	
Cable Section	0,25 mm ² to 2,5 mm ²	
Cable Type	Flexible cable using crimping terminals or rigid cable.	
Number of automatic cycles (A) per automatic action	Mechanical (Min)	10 million operations (300cpm)
	Electrical (min.)	100.000 cycles at Max. current (20cpm and resistive load)

SAFETY INSTRUCTIONS



- Do not connect the Main Voltage (230 V) or any other external voltages to any point of the BUS.
- Connecting an external voltage might put all the EIB/KONNEX system into risk.
- Installation should only be performed by qualified electricians following applicable regulations on preventing accidents, as required by law. Once the device is installed, it shouldn't be accessible.
- Ensure there is enough insulation between the AC Voltage cables and the BUS ones. A minimum spacing of 4 mm must be ensured.
- To avoid interfering EMC beams, the circuits for the inputs should not be installed in parallel to mains conducting lines.
- Flexible cable with crimping terminals or rigid cable without terminals must be used for output connection.
- Keep away from water. If product comes into contact with water or other liquid, unplug immediately.
- Do not cover the device with clothes, paper or any other material when in use.
- Any non-observance of these safety instructions may cause fire or other hazards.